

PRODUCT CATALOG

DEBRIS BASKETS

SLIDE AND STOP GATES

PORTABLE HOISTS

MIXER MASTS

LADDERS

TELESCOPING VALVES







Contact us by any of the following methods:

- Visit us on the web: [www.hallidayproducts.com](http://www.hallidayproducts.com)
- Call our friendly team: 800-298-1027
- Email us: [sales@hallidayproducts.com](mailto:sales@hallidayproducts.com)



This new catalog has been designed to conveniently fit inside your existing HP three ring binder.

Inside you will find:

- Copy friendly submittal drawings
- Complete catalog of all products
- Retro-Grate™ price quotation form

## Table Of Contents

|                                   |             |
|-----------------------------------|-------------|
| <b>Access Doors and Options</b>   | <b>3-25</b> |
| Series W Access Doors             | 5-8, 11-12  |
| Series S Access Doors             | 9-10, 13-14 |
| Series C1R Access Door            | 15          |
| Series R1R Access Door            | 16          |
| Series H Access Doors             | 17-22       |
| Series F1R Access Door            | 23          |
| Access Cover Popular Options      | 24          |
| Optional Protective Grating Panel | 25          |

### Retro-Grate™ 26-29

|                      |    |
|----------------------|----|
| About Retro-Grate    | 27 |
| Series X Retro-Grate | 28 |
| Price Quotation Form | 29 |

### Portable Hoists and Sockets 30-33

|                          |       |
|--------------------------|-------|
| Series D Portable Hoists | 31-32 |
| Series D Hoist Sockets   | 33    |

### Mixer Masts 34-35

|                      |    |
|----------------------|----|
| Series M Mixer Masts | 35 |
|----------------------|----|

### Telescoping Valves 36-38

|                             |       |
|-----------------------------|-------|
| Series V Telescoping Valves | 37-38 |
|-----------------------------|-------|

### Ladders/Safety Extension 39-41

|                             |    |
|-----------------------------|----|
| Series L1B and L1D Ladders  | 40 |
| Series L1E Ladder Extension | 41 |

### Debris Baskets 42-44

|                        |       |
|------------------------|-------|
| Series B Trash Baskets | 43-44 |
|------------------------|-------|

### Slide and Stop Gates 45-48

|                      |       |
|----------------------|-------|
| Series G Slide Gates | 46-47 |
| Series N Stop Gate   | 48    |

### Guide Rail Brackets 49-50

|                              |    |
|------------------------------|----|
| Series U Guide Rail Brackets | 50 |
|------------------------------|----|

### Accessories 51-52

|                           |    |
|---------------------------|----|
| Series K4A Cable Assembly | 52 |
| Series J4A Cable Holder   | 52 |
| Series A Anchor Bolts     | 52 |

**1-800-298-1027**  
[www.HallidayProducts.com](http://www.HallidayProducts.com)





**1-800-298-1027**  
[www.HallidayProducts.com](http://www.HallidayProducts.com)

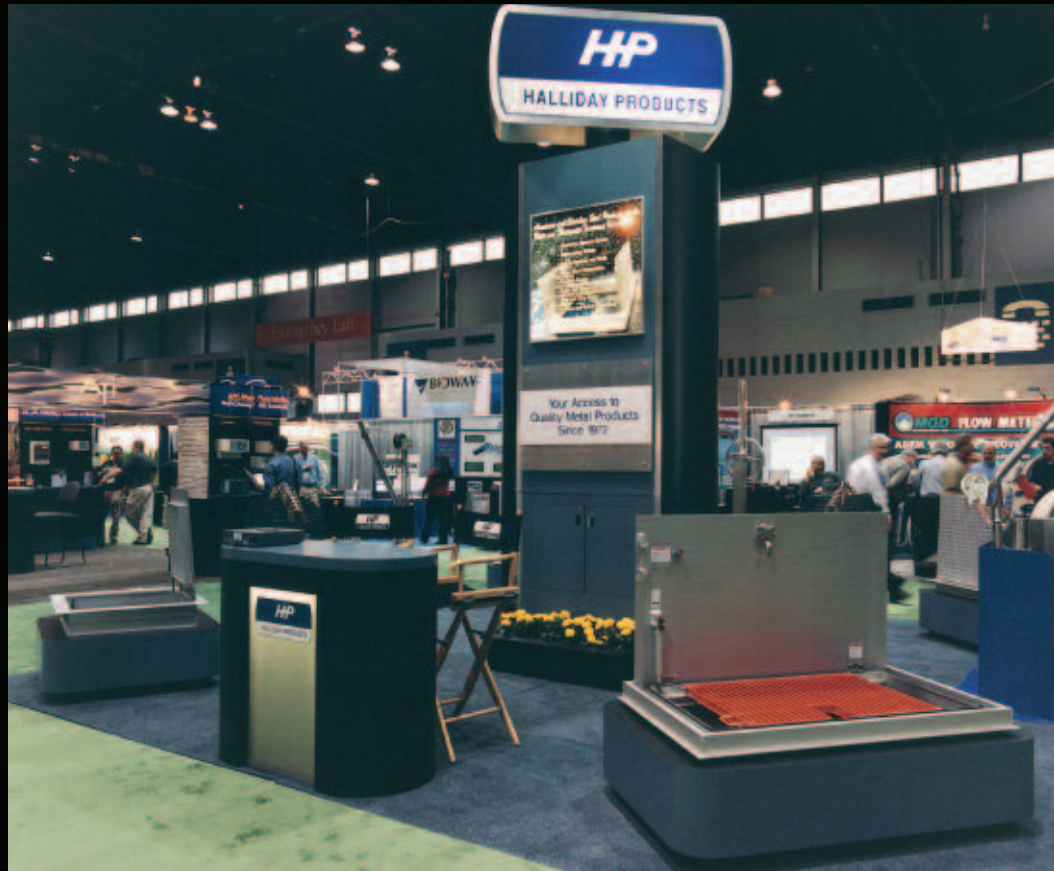
## Welcome to Halliday Products

What kind of organization do you like to do business with? What factors help you decide? Are product quality, fast and efficient customer service and price important to you? What about timely shipments and an easy to use website?

In business since 1972, Halliday Products has been guided by the simple philosophy that each aspect of your business with us is as important as the next. The never-ending commitment to improving our products and the quality of our customer service continues to shape the way we do business with complete customer satisfaction as our goal.

Do we always achieve this goal? Unfortunately not, but you can count on us to make every effort to give you, the customer, our very best each and every time you choose to work with Halliday Products.

Experience the difference. Choose Halliday Products, your access to quality metal products since 1972.



Halliday Products Inc. WEFTEC Booth



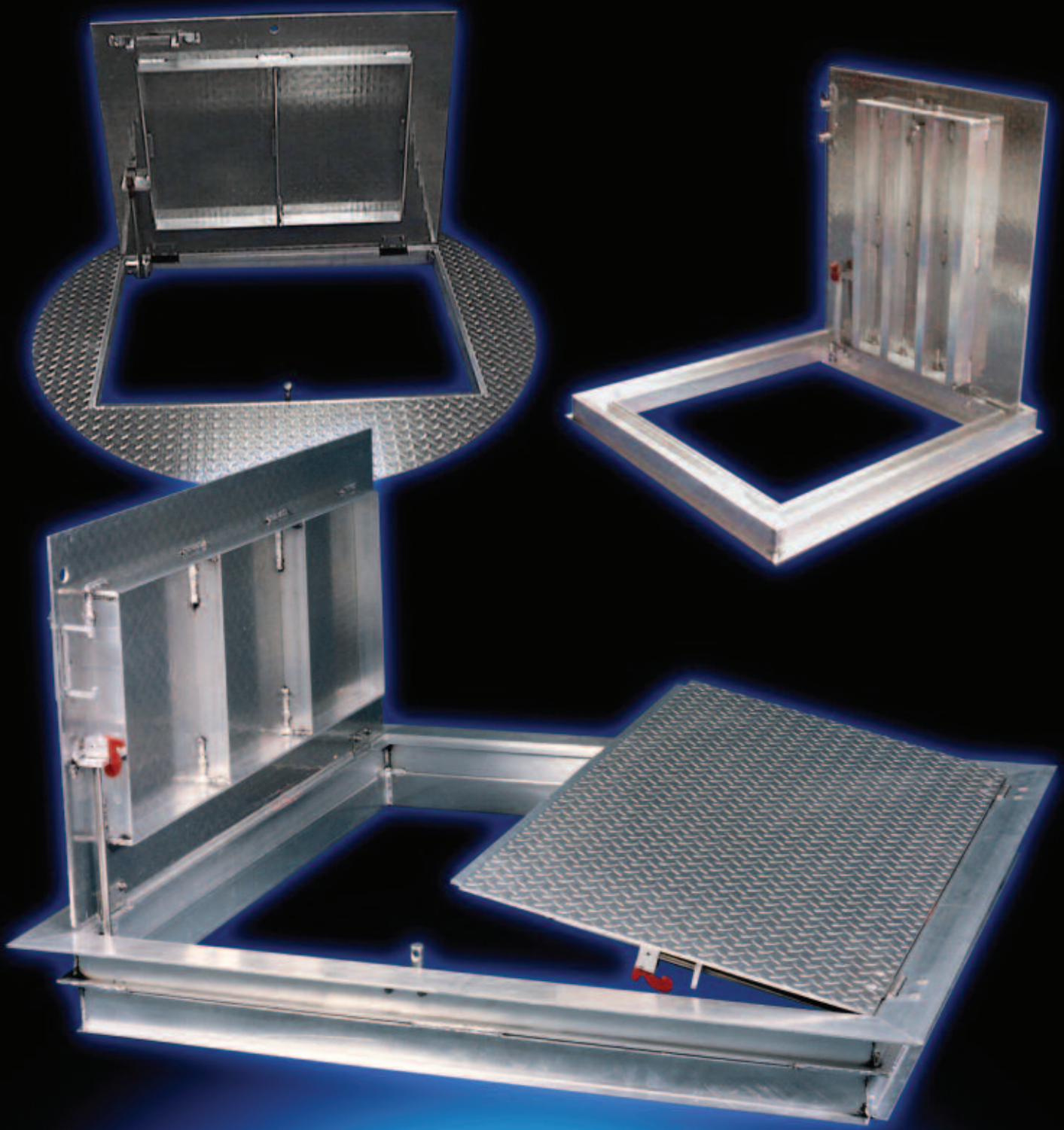
100,000 Square Foot Facility

# Access Door Standard Features

|   | W1S | W2S | W1C | W2C | S1S | S2S | H1C | H2C | W1R | W2R | S1R | S2R | H1W | H2W | C1R | R1R | H1R | H2R | F1R |
|---|-----|-----|-----|-----|-----|-----|-----|-----|-----|-----|-----|-----|-----|-----|-----|-----|-----|-----|-----|
| Lifetime Guarantee                                | ●   | ●   | ●   | ●   | ●   | ●   | ●   | ●   | ●   | ●   | ●   | ●   | ●   | ●   | ●   | ●   | ●   | ●   | ●   |
| Auto Lock T316 SS Hold Open Arm                   | ●   | ●   | ●   | ●   | ●   | ●   | ●   | ●   | ●   | ●   | ●   | ●   | ●   | ●   | ●   | ●   | ●   | ●   | ●   |
| 316 Stainless Steel Hinges                        | ●   | ●   | ●   | ●   | ●   | ●   | ●   | ●   | ●   | ●   | ●   | ●   | ●   | ●   | ●   | ●   | ●   | ●   | ●   |
| 316 SS Slam Lock W/Removable Key                  | ●   | ●   | ●   | ●   | ●   | ●   | ●   | ●   |     |     |     |     | ●   | ●   |     |     | ●   | ●   |     |
| Non Corrosive Locking Bar                         |     |     |     |     |     |     |     |     | ●   | ●   | ●   | ●   |     |     | ●   | ●   |     |     |     |
| Padlock Lug                                       |     |     |     |     |     |     |     |     |     |     |     |     |     |     |     |     |     |     | ●   |
| Single Leaf Construction                          | ●   |     | ●   |     | ●   |     | ●   |     | ●   |     | ●   |     | ●   |     | ●   | ●   | ●   |     | ●   |
| Double Leaf Construction                          |     | ●   |     | ●   |     | ●   |     | ●   |     | ●   |     | ●   |     | ●   |     |     |     | ●   |     |
| 300 lb per sq ft Load Rating                      | ●   | ●   | ●   | ●   | ●   | ●   |     |     | ●   | ●   | ●   | ●   |     |     | ●   | ●   |     |     |     |
| 625 per square ft                                 |     |     |     |     |     |     |     |     |     |     |     |     |     |     |     |     |     |     | ●   |
| H2O Load Rating                                   |     |     |     |     |     |     | ●   | ●   |     |     |     |     | ●   | ●   |     |     | ●   | ●   |     |
| Extruded Aluminum Channel Frame                   | ●   | ●   | ●   | ●   |     |     | ●   | ●   | ●   | ●   |     |     | ●   | ●   |     |     |     |     |     |
| Extruded Aluminum Angle Frame                     |     |     |     |     | ●   | ●   |     |     |     |     | ●   | ●   |     |     |     | ●   | ●   | ●   | ●   |
| Recessed Lifting Handle                           | ●   | ●   | ●   | ●   | ●   | ●   | ●   | ●   | ●   | ●   | ●   | ●   | ●   | ●   | ●   | ●   | ●   | ●   | ●   |
| Stainless Steel Spring Assist                     | ●   | ●   | ●   | ●   | ●   | ●   | ●   | ●   |     |     |     |     | ●   | ●   |     |     | ●   | ●   |     |
| Built In Neoprene Gasket                          | ●   | ●   | ●   | ●   | ●   | ●   |     |     |     |     |     |     |     |     |     |     |     |     | ●   |
| Bituminous Coating                                | ●   | ●   | ●   | ●   | ●   | ●   |     |     |     |     |     |     |     |     |     |     |     |     |     |
| 1½" NPT Coupling                                  | ●   | ●   | ●   | ●   |     |     | ●   | ●   | ●   | ●   |     |     | ●   | ●   |     |     |     |     |     |
| Stainless Steel Pressure Locks                    |     |     |     |     |     |     |     |     |     |     |     |     |     |     |     |     |     |     | ●   |
| Maximum Allowable Deflection of 1/150 of the Span | ●   | ●   | ●   | ●   | ●   | ●   | ●   | ●   | ●   | ●   | ●   | ●   | ●   | ●   | ●   | ●   | ●   | ●   | ●   |



# Access Doors and Options



# Series W1S Access Door



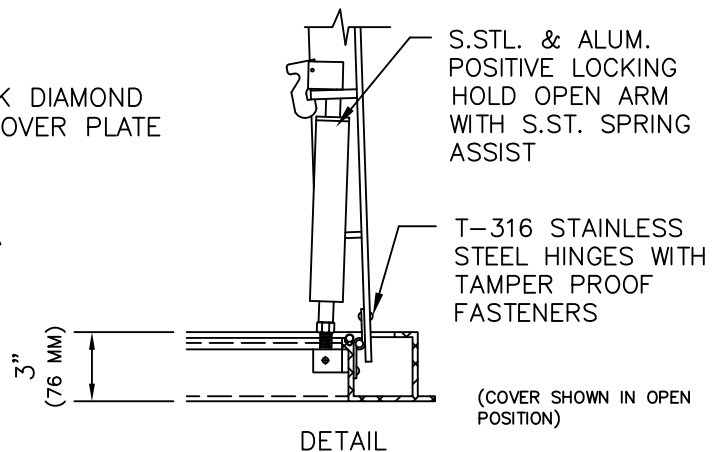
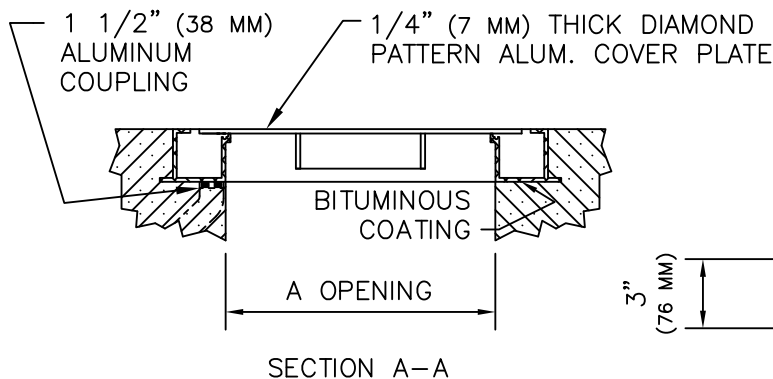
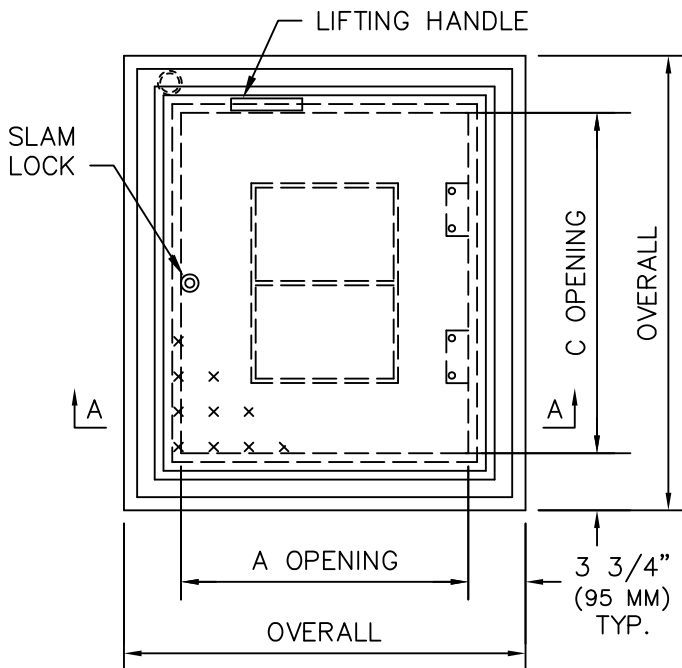
## STANDARD FEATURES:

- AUTO-LOCK T-316 STAINLESS STEEL HOLD OPEN ARM WITH RELEASE HANDLE
- T-316 STAINLESS STEEL HINGES AND ATTACHING HARDWARE
- T-316 STAINLESS STEEL SLAM LOCK WITH REMOVABLE KEY
- STAINLESS STEEL COMPRESSION SPRING ASSIST
- BUILT-IN NEOPRENE GASKET TO LIMIT THE TRANSMISSION OF ODORS
- NON-OZONE DEPLETING BITUMINOUS COATING
- SINGLE LEAF CONSTRUCTION
- 300 LBS. PER SQ. FT. LOAD RATING (1464 KG. PER SQ. METER LOAD RATING)
- EXTRUDED ALUMINUM CHANNEL FRAME
- RECESSED LIFTING HANDLE
- LIFETIME GUARANTEE

(SEE WEBSITE FOR AVAILABLE STAINLESS STEEL ACCESS DOOR MODELS AND SIZES.)

## STANDARD SIZES

| QTY. | MODEL NO. | A DIM. INCHES (MM) | C DIM. INCHES (MM) | UNIT WT. LBS. (KG.) |
|------|-----------|--------------------|--------------------|---------------------|
|      | W1S2424   | 24 (610)           | 24 (610)           | 46 (20)             |
|      | W1S2430   | 24 (610)           | 30 (762)           | 51 (23)             |
|      | W1S2436   | 24 (610)           | 36 (914)           | 61 (28)             |
|      | W1S2442   | 24 (610)           | 42 (1067)          | 77 (35)             |
|      | W1S2448   | 24 (610)           | 48 (1219)          | 85 (39)             |
|      | W1S3030   | 30 (762)           | 30 (762)           | 62 (28)             |
|      | W1S3036   | 30 (762)           | 36 (914)           | 69 (31)             |
|      | W1S3042   | 30 (762)           | 42 (1067)          | 77 (35)             |
|      | W1S3048   | 30 (762)           | 48 (1219)          | 85 (39)             |
|      | W1S3054   | 30 (762)           | 54 (1372)          | 99 (45)             |
|      | W1S3060   | 30 (762)           | 60 (1524)          | 102 (46)            |
|      | W1S3636   | 36 (914)           | 36 (914)           | 78 (35)             |
|      | W1S3642   | 36 (914)           | 42 (1067)          | 89 (40)             |
|      | W1S3648   | 36 (914)           | 48 (1219)          | 97 (44)             |
|      | W1S3654   | 36 (914)           | 54 (1372)          | 107 (49)            |
|      | W1S3660   | 36 (914)           | 60 (1524)          | 116 (53)            |
|      | W1S3666   | 36 (914)           | 66 (1676)          | 126 (57)            |
|      | W1S3672   | 36 (914)           | 72 (1829)          | 135 (61)            |
|      | W1S4242   | 42 (1067)          | 42 (1067)          | 108 (49)            |
|      |           |                    |                    |                     |
|      |           |                    |                    |                     |



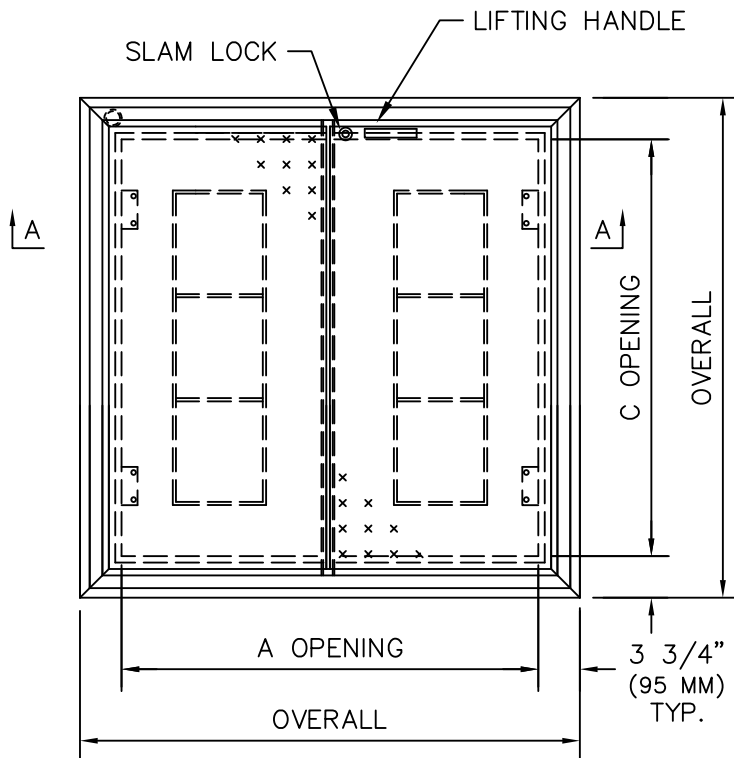
# Series W2S Access Door



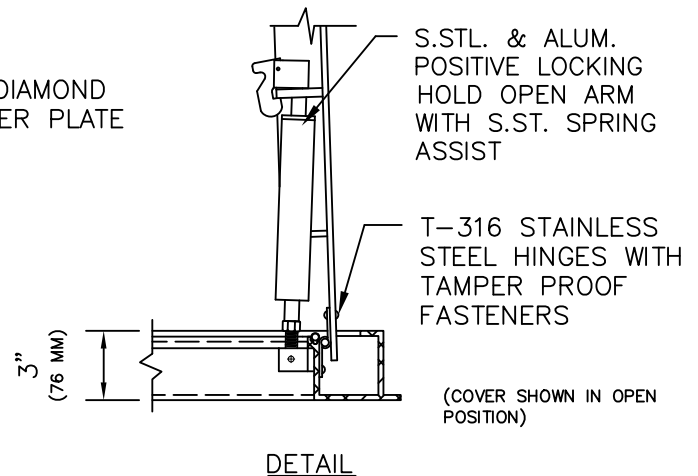
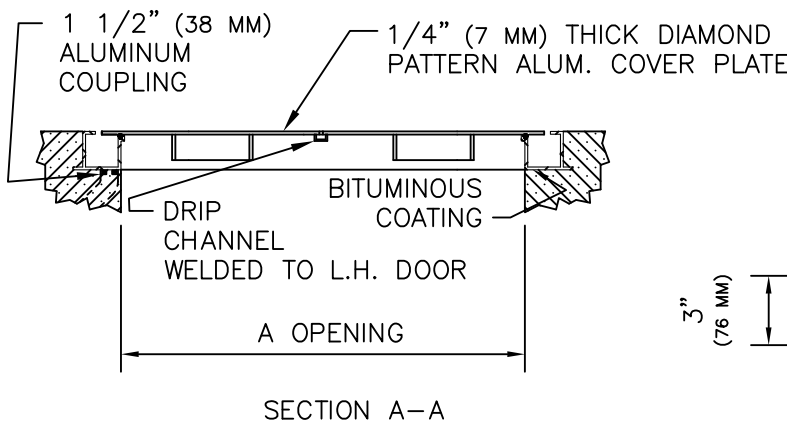
## STANDARD FEATURES:

- AUTO-LOCK T-316 STAINLESS STEEL HOLD OPEN ARM WITH RELEASE HANDLE
- T-316 STAINLESS STEEL HINGES AND ATTACHING HARDWARE
- T-316 STAINLESS STEEL SLAM LOCK WITH REMOVABLE KEY
- STAINLESS STEEL COMPRESSION SPRING ASSIST
- BUILT-IN NEOPRENE CUSHION/GASKET
- NON-OZONE DEPLETING BITUMINOUS COATING
- DOUBLE LEAF CONSTRUCTION
- 300 LBS. PER SQ. FT. LOAD RATING (1464 KG. PER SQ. METER LOAD RATING)
- EXTRUDED ALUMINUM CHANNEL FRAME
- RECESSED LIFTING HANDLE
- LIFETIME GUARANTEE

(SEE WEBSITE FOR AVAILABLE STAINLESS STEEL ACCESS DOOR MODELS AND SIZES.)



| STANDARD SIZES |           |                    |                    |                     |
|----------------|-----------|--------------------|--------------------|---------------------|
| QTY.           | MODEL NO. | A DIM. INCHES (MM) | C DIM. INCHES (MM) | UNIT WT. LBS. (KG.) |
|                | W2S4242   | 42 (1067)          | 42 (1067)          | 108 (48)            |
|                | W2S4842   | 48 (1219)          | 42 (1067)          | 115 (52)            |
|                | W2S4848   | 48 (1219)          | 48 (1219)          | 126 (57)            |
|                | W2S5442   | 54 (1372)          | 42 (1067)          | 124 (56)            |
|                | W2S5448   | 54 (1372)          | 48 (1219)          | 136 (62)            |
|                | W2S5454   | 54 (1372)          | 54 (1372)          | 149 (68)            |
|                | W2S6030   | 60 (1524)          | 30 (762)           | 102 (46)            |
|                | W2S6036   | 60 (1524)          | 36 (914)           | 116 (53)            |
|                | W2S6042   | 60 (1524)          | 42 (1067)          | 132 (60)            |
|                | W2S6048   | 60 (1524)          | 48 (1219)          | 148 (67)            |
|                | W2S6054   | 60 (1524)          | 54 (1372)          | 162 (73)            |
|                | W2S6060   | 60 (1524)          | 60 (1524)          | 177 (80)            |
|                | W2S6636   | 66 (1676)          | 36 (914)           | 126 (57)            |
|                | W2S6648   | 66 (1676)          | 48 (1219)          | 160 (73)            |
|                | W2S7236   | 72 (1829)          | 36 (914)           | 135 (61)            |
|                | W2S7242   | 72 (1829)          | 42 (1067)          | 154 (70)            |
|                | W2S7248   | 72 (1829)          | 48 (1219)          | 171 (78)            |
|                | W2S7254   | 72 (1829)          | 54 (1372)          | 188 (85)            |
|                | W2S7260   | 72 (1829)          | 60 (1524)          | 203 (92)            |
|                |           |                    |                    |                     |
|                |           |                    |                    |                     |



# Series W1C Access Door

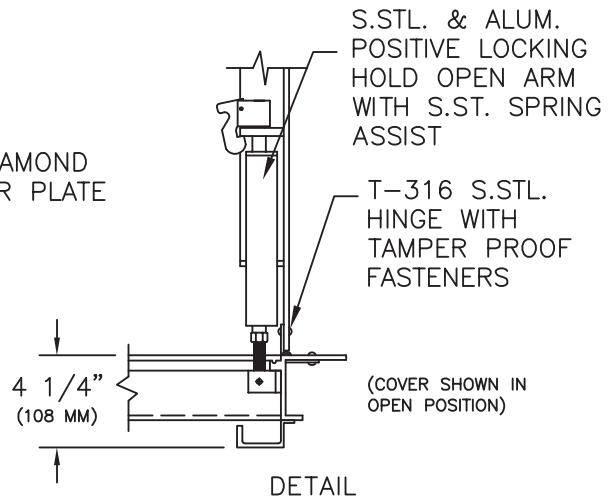
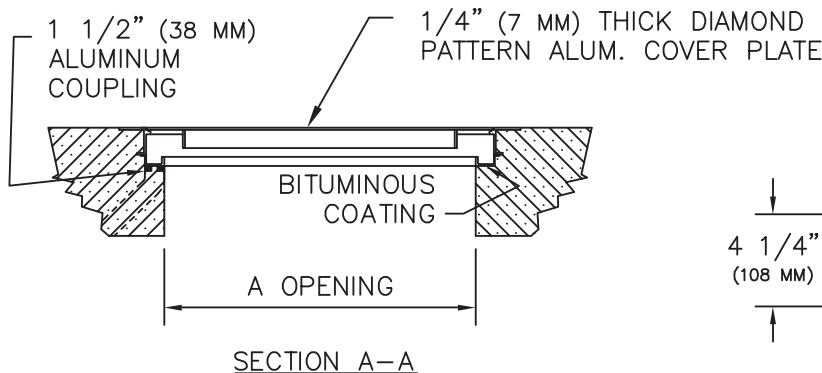
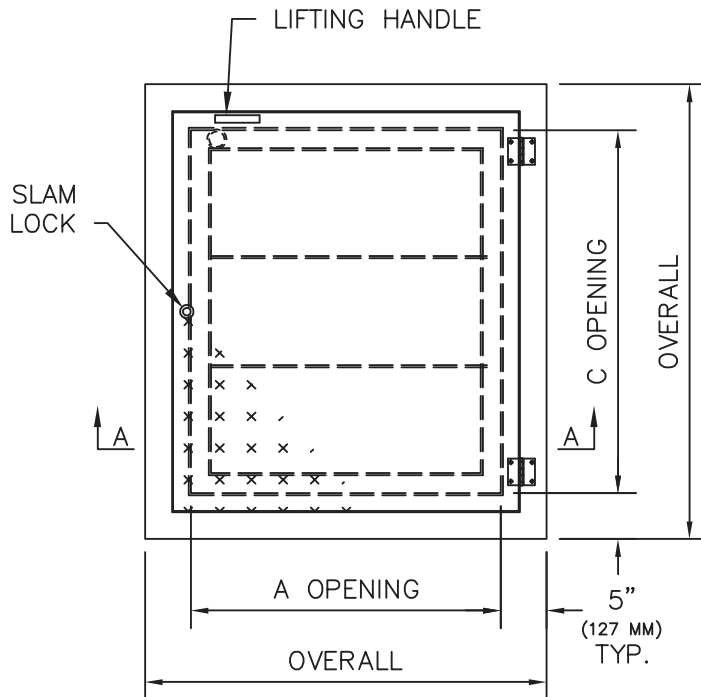


## STANDARD FEATURES:

- AUTO-LOCK T-316 STAINLESS STEEL HOLD OPEN ARM WITH RELEASE HANDLE
- T-316 STAINLESS STEEL HINGES AND ATTACHING HARDWARE
- T-316 STAINLESS STEEL SLAM LOCK WITH REMOVABLE KEY
- STAINLESS STEEL COMPRESSION SPRING ASSIST
- BUILT-IN NEOPRENE CUSHION/GASKET
- NON-OZONE DEPLETING BITUMINOUS COATING
- SINGLE LEAF CONSTRUCTION
- 300 LBS. PER SQ. FT. LOAD RATING (1464 KG. PER SQ. METER LOAD RATING)
- EXTRUDED ALUMINUM CHANNEL FRAME
- RECESSED LIFTING HANDLE
- LIFETIME GUARANTEE

## STANDARD SIZES

| QTY. | MODEL NO. | A DIM. INCHES (MM) | C DIM. INCHES (MM) | UNIT WT. LBS. (KG.) |
|------|-----------|--------------------|--------------------|---------------------|
|      | W1C2424   | 24 (610)           | 24 (610)           | 57 (26)             |
|      | W1C2430   | 24 (610)           | 30 (762)           | 64 (29)             |
|      | W1C2436   | 24 (610)           | 36 (914)           | 72 (33)             |
|      | W1C2442   | 24 (610)           | 42 (1067)          | 80 (36)             |
|      | W1C2448   | 24 (610)           | 48 (1219)          | 88 (40)             |
|      | W1C3030   | 30 (762)           | 30 (762)           | 73 (33)             |
|      | W1C3036   | 30 (762)           | 36 (914)           | 82 (37)             |
|      | W1C3042   | 30 (762)           | 42 (1067)          | 90 (41)             |
|      | W1C3048   | 30 (762)           | 48 (1219)          | 100 (45)            |
|      | W1C3054   | 30 (762)           | 54 (1372)          | 108 (49)            |
|      | W1C3060   | 30 (762)           | 60 (1524)          | 116 (53)            |
|      | W1C3636   | 36 (914)           | 36 (914)           | 91 (41)             |
|      | W1C3642   | 36 (914)           | 42 (1067)          | 101 (46)            |
|      | W1C3648   | 36 (914)           | 48 (1219)          | 111 (50)            |
|      | W1C3654   | 36 (914)           | 54 (1372)          | 120 (54)            |
|      | W1C3660   | 36 (914)           | 60 (1524)          | 130 (59)            |
|      | W1C3666   | 36 (914)           | 66 (1676)          | 140 (64)            |
|      | W1C3672   | 36 (914)           | 72 (1829)          | 150 (68)            |
|      | W1C4242   | 42 (1067)          | 42 (1067)          | 113 (51)            |
|      |           |                    |                    |                     |
|      |           |                    |                    |                     |



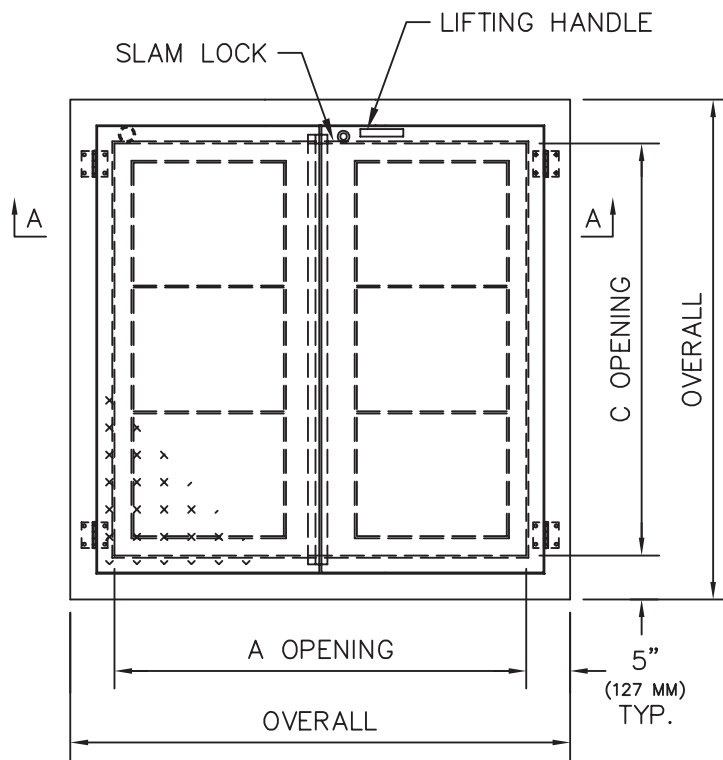


# Series W2C Access Door

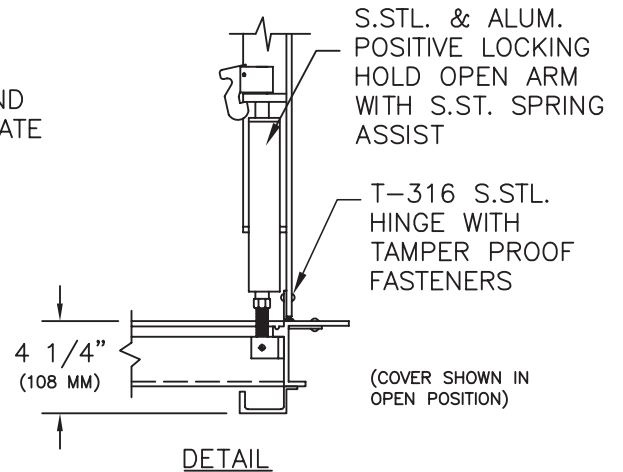
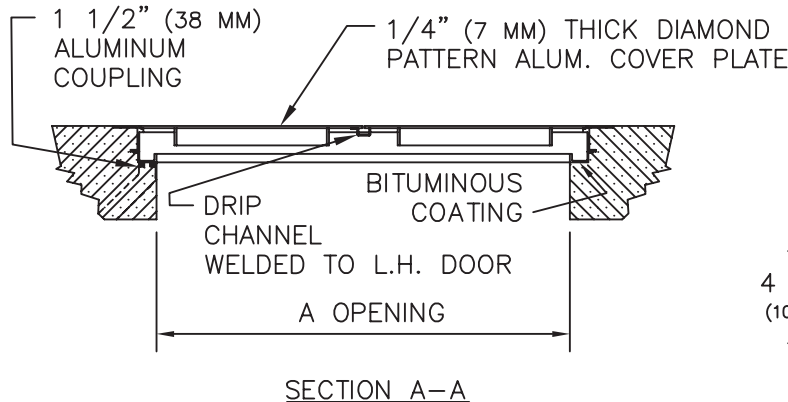


## STANDARD FEATURES:

- AUTO-LOCK T-316 STAINLESS STEEL HOLD OPEN ARM WITH RELEASE HANDLE
- T-316 STAINLESS STEEL HINGES AND ATTACHING HARDWARE
- T-316 STAINLESS STEEL SLAM LOCK WITH REMOVABLE KEY
- STAINLESS STEEL COMPRESSION SPRING ASSIST
- BUILT-IN NEOPRENE CUSHION/GASKET
- NON-OZONE DEPLETING BITUMINOUS COATING
- DOUBLE LEAF CONSTRUCTION
- 300 LBS. PER SQ. FT. LOAD RATING (1464 KG. PER SQ. METER LOAD RATING)
- EXTRUDED ALUMINUM CHANNEL FRAME
- RECESSED LIFTING HANDLE
- LIFETIME GUARANTEE



| STANDARD SIZES |           |                    |                    |                     |
|----------------|-----------|--------------------|--------------------|---------------------|
| QTY.           | MODEL NO. | A DIM. INCHES (MM) | C DIM. INCHES (MM) | UNIT WT. LBS. (KG.) |
|                | W2C4242   | 42 (1067)          | 42 (1067)          | 119 (54)            |
|                | W2C4842   | 48 (1219)          | 42 (1067)          | 130 (59)            |
|                | W2C4848   | 48 (1219)          | 48 (1219)          | 142 (64)            |
|                | W2C5442   | 54 (1372)          | 42 (1067)          | 141 (64)            |
|                | W2C5448   | 54 (1372)          | 48 (1219)          | 154 (70)            |
|                | W2C5454   | 54 (1372)          | 54 (1372)          | 166 (75)            |
|                | W2C6030   | 60 (1524)          | 30 (762)           | 122 (55)            |
|                | W2C6036   | 60 (1524)          | 36 (914)           | 135 (61)            |
|                | W2C6042   | 60 (1524)          | 42 (1067)          | 151 (68)            |
|                | W2C6048   | 60 (1524)          | 48 (1219)          | 165 (75)            |
|                | W2C6054   | 60 (1524)          | 54 (1372)          | 179 (81)            |
|                | W2C6060   | 60 (1524)          | 60 (1524)          | 195 (88)            |
|                | W2C6636   | 66 (1676)          | 36 (914)           | 145 (66)            |
|                | W2C6648   | 66 (1676)          | 48 (1219)          | 177 (80)            |
|                | W2C7236   | 72 (1829)          | 36 (914)           | 154 (70)            |
|                | W2C7242   | 72 (1829)          | 42 (1067)          | 173 (78)            |
|                | W2C7248   | 72 (1829)          | 48 (1219)          | 188 (85)            |
|                | W2C7254   | 72 (1829)          | 54 (1372)          | 204 (92)            |
|                | W2C7260   | 72 (1829)          | 60 (1524)          | 222 (101)           |
|                |           |                    |                    |                     |
|                |           |                    |                    |                     |



# Series S1S Access Door

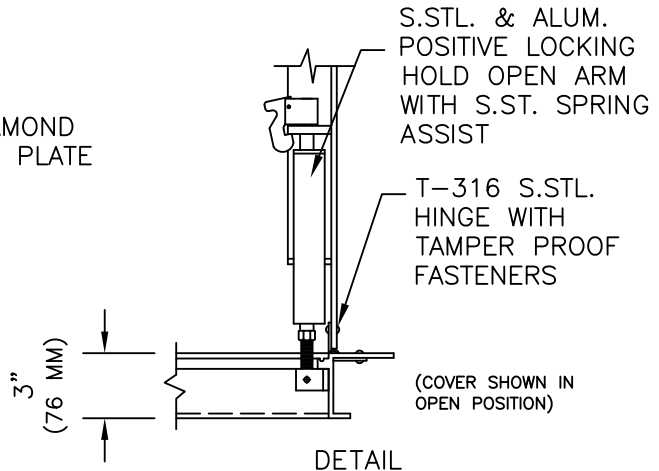
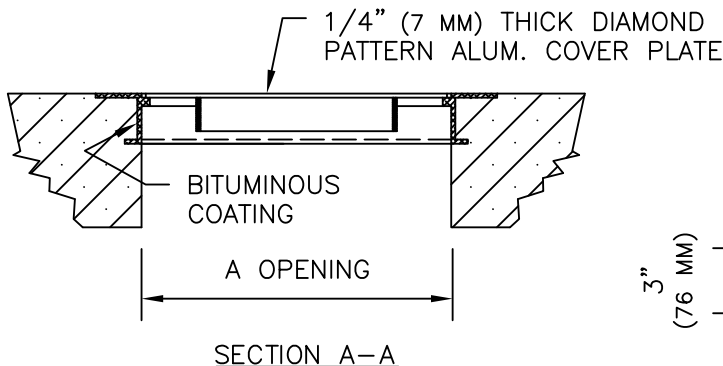
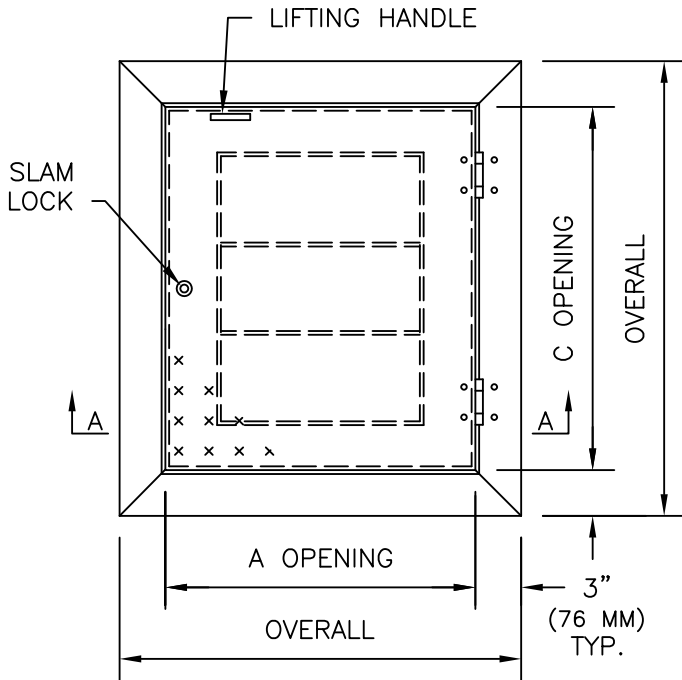


## STANDARD FEATURES:

- AUTO-LOCK T-316 STAINLESS STEEL HOLD OPEN ARM WITH RELEASE HANDLE
- T-316 STAINLESS STEEL HINGES AND ATTACHING HARDWARE
- T-316 STAINLESS STEEL SLAM LOCK WITH REMOVABLE KEY
- STAINLESS STEEL COMPRESSION SPRING ASSIST
- BUILT-IN NEOPRENE CUSHION/GASKET
- NON-OZONE DEPLETING BITUMINOUS COATING
- SINGLE LEAF CONSTRUCTION
- 300 LBS. PER SQ. FT. LOAD RATING (1464 KG. PER SQ. METER LOAD RATING)
- EXTRUDED ALUMINUM FRAME
- RECESSED LIFTING HANDLE
- LIFETIME GUARANTEE

(SEE WEBSITE FOR AVAILABLE STAINLESS STEEL ACCESS DOOR MODELS AND SIZES.)

| STANDARD SIZES |           |                    |                    |                     |
|----------------|-----------|--------------------|--------------------|---------------------|
| QTY.           | MODEL NO. | A DIM. INCHES (MM) | C DIM. INCHES (MM) | UNIT WT. LBS. (KG.) |
|                | S1S2424   | 24 (610)           | 24 (610)           | 37 (17)             |
|                | S1S2430   | 24 (610)           | 30 (762)           | 42 (19)             |
|                | S1S2436   | 24 (610)           | 36 (914)           | 48 (22)             |
|                | S1S2442   | 24 (610)           | 42 (1067)          | 55 (25)             |
|                | S1S2448   | 24 (610)           | 48 (1219)          | 61 (28)             |
|                | S1S3030   | 30 (762)           | 30 (762)           | 49 (22)             |
|                | S1S3036   | 30 (762)           | 36 (914)           | 57 (26)             |
|                | S1S3042   | 30 (762)           | 42 (1067)          | 64 (29)             |
|                | S1S3048   | 30 (762)           | 48 (1219)          | 71 (32)             |
|                | S1S3054   | 30 (762)           | 54 (1372)          | 79 (36)             |
|                | S1S3060   | 30 (762)           | 60 (1524)          | 87 (39)             |
|                | S1S3636   | 36 (914)           | 36 (914)           | 65 (25)             |
|                | S1S3642   | 36 (914)           | 42 (1067)          | 79 (36)             |
|                | S1S3648   | 36 (914)           | 48 (1219)          | 85 (39)             |
|                | S1S3654   | 36 (914)           | 54 (1372)          | 91 (41)             |
|                | S1S3660   | 36 (914)           | 60 (1524)          | 100 (45)            |
|                | S1S3666   | 36 (914)           | 66 (1676)          | 109 (49)            |
|                | S1S3672   | 36 (914)           | 72 (1829)          | 116 (53)            |
|                | S1S4242   | 42 (1067)          | 42 (1067)          | 93 (42)             |
|                |           |                    |                    |                     |
|                |           |                    |                    |                     |





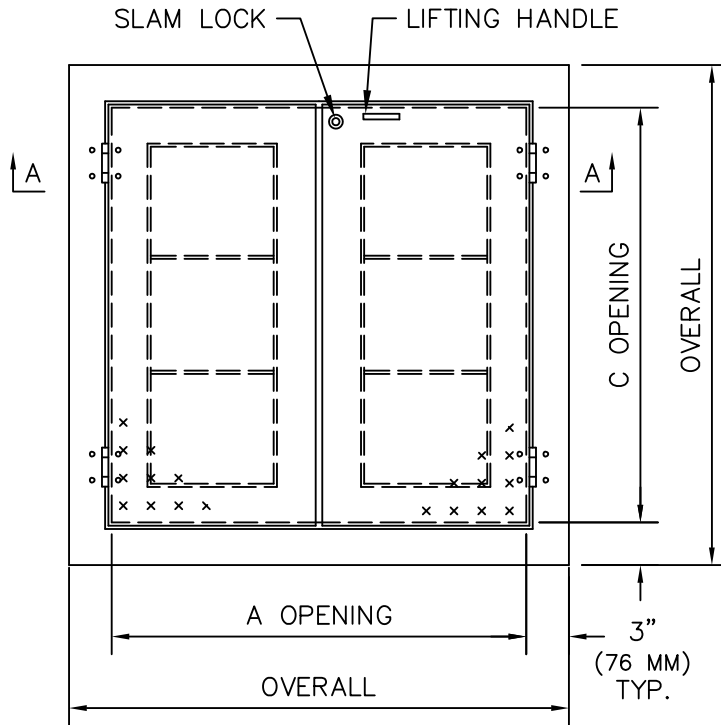
# Series S2S Access Door



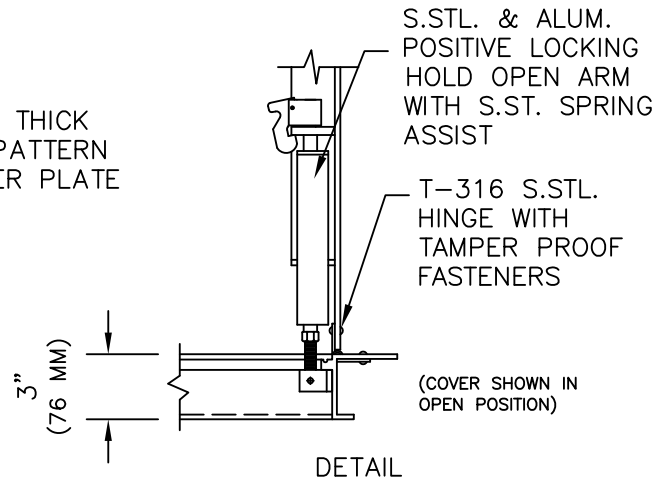
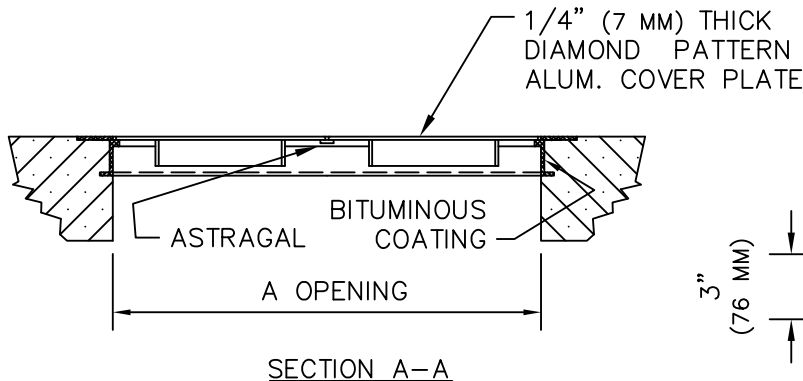
## STANDARD FEATURES:

- AUTO-LOCK T-316 STAINLESS STEEL HOLD OPEN ARM WITH RELEASE HANDLE
- T-316 STAINLESS STEEL HINGES AND ATTACHING HARDWARE
- T-316 STAINLESS STEEL SLAM LOCK WITH REMOVABLE KEY
- STAINLESS STEEL COMPRESSION SPRING ASSIST
- BUILT-IN NEOPRENE CUSHION/GASKET
- NON-OZONE DEPLETING BITUMINOUS COATING
- DOUBLE LEAF CONSTRUCTION
- 300 LBS. PER SQ. FT. LOAD RATING (1464 KG. PER SQ. METER LOAD RATING)
- EXTRUDED ALUMINUM FRAME
- RECESSED LIFTING HANDLE
- LIFETIME GUARANTEE

(SEE WEBSITE FOR AVAILABLE STAINLESS STEEL ACCESS DOOR MODELS AND SIZES.)



| STANDARD SIZES |           |                    |                    |                     |
|----------------|-----------|--------------------|--------------------|---------------------|
| QTY.           | MODEL NO. | A DIM. INCHES (MM) | C DIM. INCHES (MM) | UNIT WT. LBS. (KG.) |
|                | S2S4242   | 42 (1067)          | 42 (1067)          | 93 (42)             |
|                | S2S4842   | 48 (1219)          | 42 (1067)          | 99 (45)             |
|                | S2S4848   | 48 (1219)          | 48 (1219)          | 110 (50)            |
|                | S2S5442   | 54 (1372)          | 42 (1067)          | 108 (49)            |
|                | S2S5448   | 54 (1372)          | 48 (1219)          | 119 (54)            |
|                | S2S5454   | 54 (1372)          | 54 (1372)          | 127 (58)            |
|                | S2S6030   | 60 (1524)          | 30 (762)           | 87 (39)             |
|                | S2S6036   | 60 (1524)          | 36 (914)           | 100 (45)            |
|                | S2S6042   | 60 (1524)          | 42 (1067)          | 115 (52)            |
|                | S2S6048   | 60 (1524)          | 48 (1219)          | 130 (59)            |
|                | S2S6054   | 60 (1524)          | 54 (1372)          | 143 (65)            |
|                | S2S6060   | 60 (1524)          | 60 (1524)          | 158 (72)            |
|                | S2S6636   | 66 (1676)          | 36 (914)           | 109 (49)            |
|                | S2S6648   | 66 (1676)          | 48 (1219)          | 141 (64)            |
|                | S2S7236   | 72 (1829)          | 36 (914)           | 116 (53)            |
|                | S2S7242   | 72 (1829)          | 42 (1067)          | 135 (61)            |
|                | S2S7248   | 72 (1829)          | 48 (1219)          | 151 (68)            |
|                | S2S7254   | 72 (1829)          | 54 (1372)          | 168 (76)            |
|                | S2S7260   | 72 (1829)          | 60 (1524)          | 178 (81)            |
|                |           |                    |                    |                     |
|                |           |                    |                    |                     |



# Series W1R Access Door



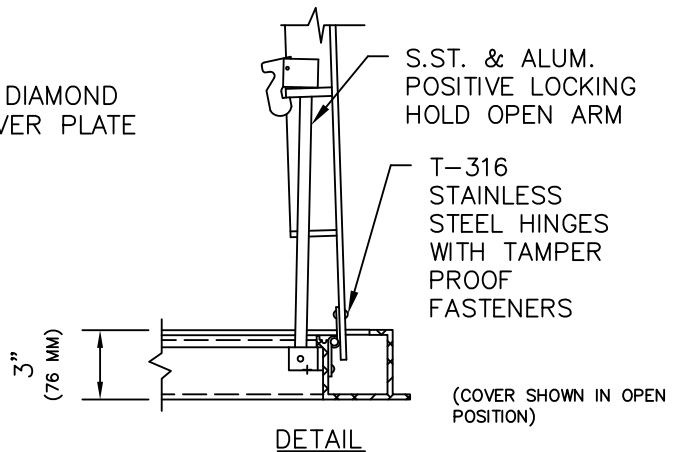
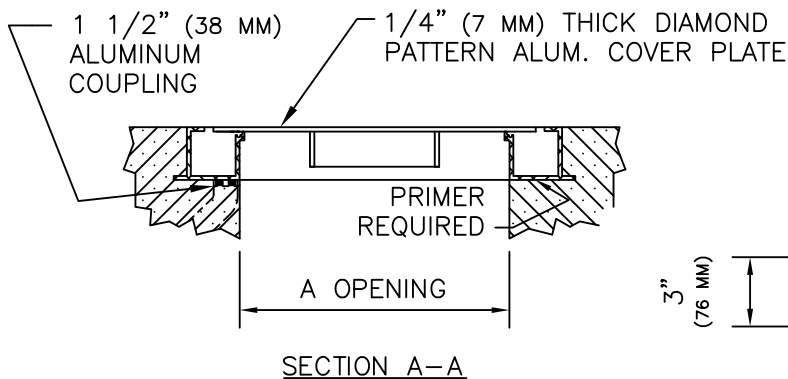
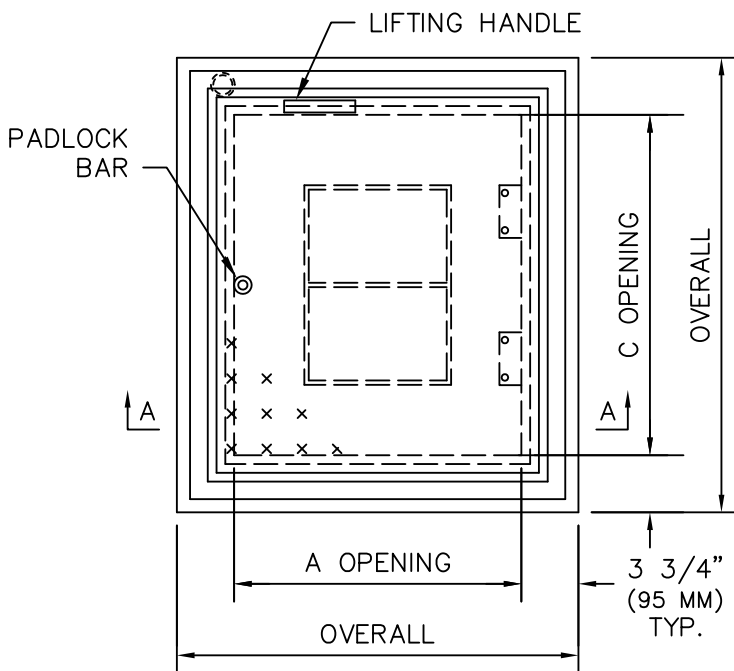
## STANDARD FEATURES:

- AUTO-LOCK T-316 STAINLESS STEEL HOLD OPEN ARM WITH RELEASE HANDLE
- T-316 STAINLESS STEEL HINGES AND ATTACHING HARDWARE
- NON-CORROSIVE LOCKING BAR
- SINGLE LEAF CONSTRUCTION
- 300 LBS. PER SQ. FT. LOAD RATING (1464 KG. PER SQ. METER LOAD RATING)
- EXTRUDED ALUMINUM CHANNEL FRAME
- RECESSED LIFTING HANDLE
- LIFETIME GUARANTEE

(SEE WEBSITE FOR AVAILABLE STAINLESS STEEL ACCESS DOOR MODELS AND SIZES.)

## STANDARD SIZES

| QTY. | MODEL NO. | A DIM. INCHES (MM) | C DIM. INCHES (MM) | UNIT WT. LBS. (KG.) |
|------|-----------|--------------------|--------------------|---------------------|
|      | W1R2424   | 24 (610)           | 24 (610)           | 46 (20)             |
|      | W1R2430   | 24 (610)           | 30 (762)           | 51 (23)             |
|      | W1R2436   | 24 (610)           | 36 (914)           | 61 (28)             |
|      | W1R2442   | 24 (610)           | 42 (1067)          | 77 (35)             |
|      | W1R2448   | 24 (610)           | 48 (1219)          | 85 (39)             |
|      | W1R3030   | 30 (762)           | 30 (762)           | 62 (28)             |
|      | W1R3036   | 30 (762)           | 36 (914)           | 69 (31)             |
|      | W1R3042   | 30 (762)           | 42 (1067)          | 77 (35)             |
|      | W1R3048   | 30 (762)           | 48 (1219)          | 85 (39)             |
|      | W1R3054   | 30 (762)           | 54 (1372)          | 99 (45)             |
|      | W1R3060   | 30 (762)           | 60 (1524)          | 102 (46)            |
|      | W1R3636   | 36 (914)           | 36 (914)           | 78 (35)             |
|      | W1R3642   | 36 (914)           | 42 (1067)          | 89 (40)             |
|      | W1R3648   | 36 (914)           | 48 (1219)          | 97 (44)             |
|      | W1R3654   | 36 (914)           | 54 (1372)          | 107 (49)            |
|      | W1R3660   | 36 (914)           | 60 (1524)          | 116 (53)            |
|      | W1R3666   | 36 (914)           | 66 (1676)          | 126 (57)            |
|      | W1R3672   | 36 (914)           | 72 (1829)          | 135 (61)            |
|      | W1R4242   | 42 (1067)          | 42 (1067)          | 108 (49)            |
|      |           |                    |                    |                     |
|      |           |                    |                    |                     |





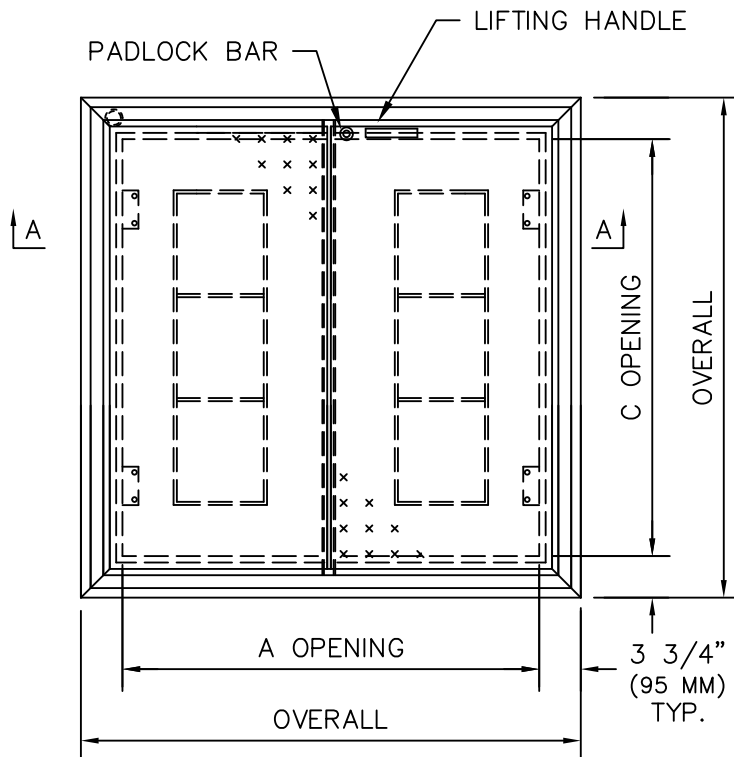
# Series W2R Access Door



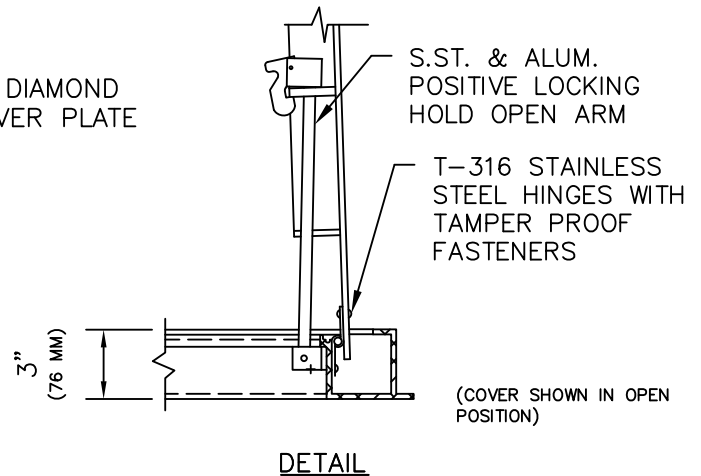
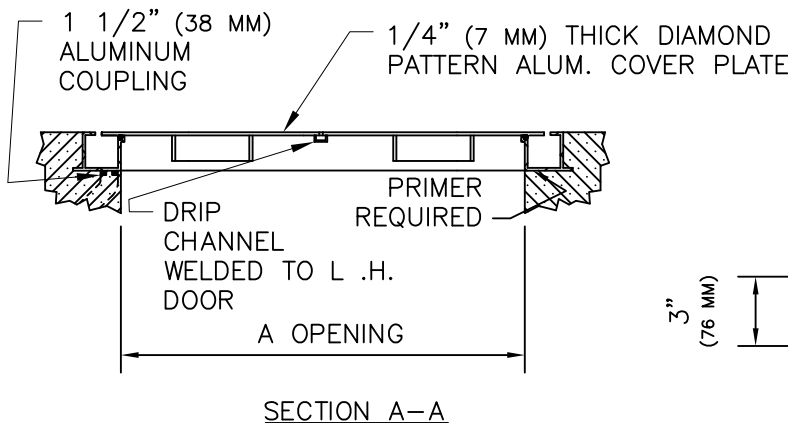
## STANDARD FEATURES:

- AUTO-LOCK T-316 STAINLESS STEEL HOLD OPEN ARM WITH RELEASE HANDLE
- T-316 STAINLESS STEEL HINGES AND ATTACHING HARDWARE
- NON-CORROSIVE LOCKING BAR
- DOUBLE LEAF CONSTRUCTION
- 300 LBS. PER SQ. FT. LOAD RATING (1464 KG. PER SQ. METER LOAD RATING)
- EXTRUDED ALUMINUM CHANNEL FRAME
- RECESSED LIFTING HANDLE
- LIFETIME GUARANTEE

(SEE WEBSITE FOR AVAILABLE STAINLESS STEEL ACCESS DOOR MODELS AND SIZES.)



| STANDARD SIZES |           |                    |                    |                     |
|----------------|-----------|--------------------|--------------------|---------------------|
| QTY.           | MODEL NO. | A DIM. INCHES (MM) | C DIM. INCHES (MM) | UNIT WT. LBS. (KG.) |
|                | W2R4242   | 42 (1067)          | 42 (1067)          | 108 (48)            |
|                | W2R4842   | 48 (1219)          | 42 (1067)          | 115 (52)            |
|                | W2R4848   | 48 (1219)          | 48 (1219)          | 126 (57)            |
|                | W2R5442   | 54 (1372)          | 42 (1067)          | 124 (56)            |
|                | W2R5448   | 54 (1372)          | 48 (1219)          | 136 (62)            |
|                | W2R5454   | 54 (1372)          | 54 (1372)          | 149 (68)            |
|                | W2R6030   | 60 (1524)          | 30 (762)           | 102 (46)            |
|                | W2R6036   | 60 (1524)          | 36 (914)           | 116 (53)            |
|                | W2R6042   | 60 (1524)          | 42 (1067)          | 132 (60)            |
|                | W2R6048   | 60 (1524)          | 48 (1219)          | 148 (67)            |
|                | W2R6054   | 60 (1524)          | 54 (1372)          | 162 (73)            |
|                | W2R6060   | 60 (1524)          | 60 (1524)          | 177 (80)            |
|                | W2R6636   | 66 (1676)          | 36 (914)           | 126 (57)            |
|                | W2R6648   | 66 (1676)          | 48 (1219)          | 160 (73)            |
|                | W2R7236   | 72 (1829)          | 36 (914)           | 135 (61)            |
|                | W2R7242   | 72 (1829)          | 42 (1067)          | 154 (70)            |
|                | W2R7248   | 72 (1829)          | 48 (1219)          | 171 (78)            |
|                | W2R7254   | 72 (1829)          | 54 (1372)          | 188 (85)            |
|                | W2R7260   | 72 (1829)          | 60 (1524)          | 203 (92)            |
|                |           |                    |                    |                     |
|                |           |                    |                    |                     |



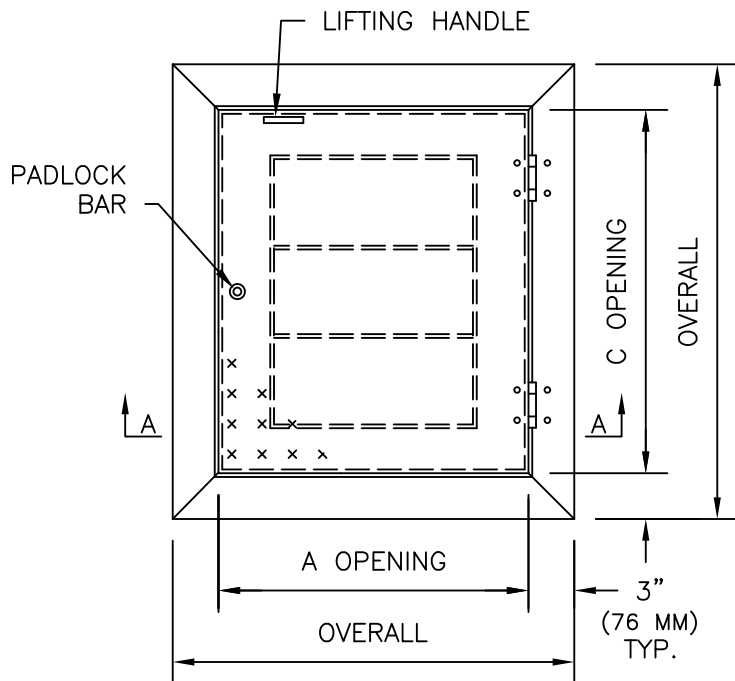
# Series S1R Access Door



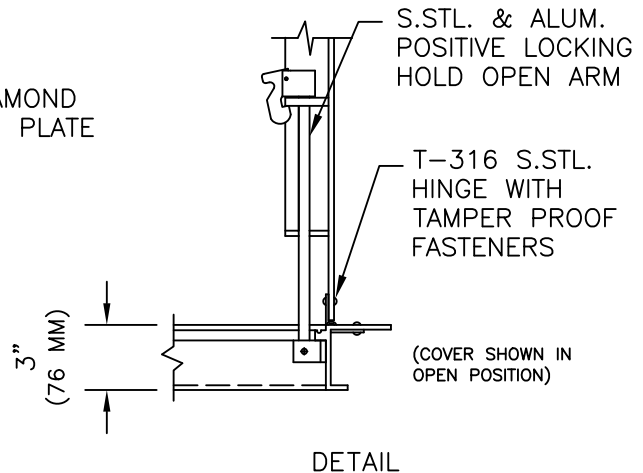
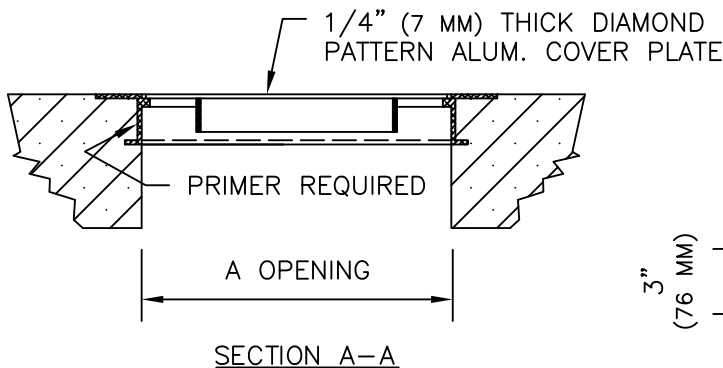
## STANDARD FEATURES:

- AUTO-LOCK T-316 STAINLESS STEEL HOLD OPEN ARM WITH RELEASE HANDLE
- T-316 STAINLESS STEEL HINGES AND ATTACHING HARDWARE
- NON-CORROSIVE PADLOCK BAR
- SINGLE LEAF CONSTRUCTION
- 300 LBS. PER SQ. FT. LOAD RATING (1464 KG. PER SQ. METER LOAD RATING)
- EXTRUDED ALUMINUM FRAME
- RECESSED LIFTING HANDLE
- LIFETIME GUARANTEE

(SEE WEBSITE FOR AVAILABLE STAINLESS STEEL ACCESS DOOR MODELS AND SIZES.)



| STANDARD SIZES |           |                    |                    |                     |
|----------------|-----------|--------------------|--------------------|---------------------|
| QTY.           | MODEL NO. | A DIM. INCHES (MM) | C DIM. INCHES (MM) | UNIT WT. LBS. (KG.) |
|                | S1R2424   | 24 (610)           | 24 (610)           | 37 (17)             |
|                | S1R2430   | 24 (610)           | 30 (762)           | 42 (19)             |
|                | S1R2436   | 24 (610)           | 36 (914)           | 48 (22)             |
|                | S1R2442   | 24 (610)           | 42 (1067)          | 55 (25)             |
|                | S1R2448   | 24 (610)           | 48 (1219)          | 61 (28)             |
|                | S1R3030   | 30 (762)           | 30 (762)           | 49 (22)             |
|                | S1R3036   | 30 (762)           | 36 (914)           | 57 (26)             |
|                | S1R3042   | 30 (762)           | 42 (1067)          | 64 (29)             |
|                | S1R3048   | 30 (762)           | 48 (1219)          | 71 (32)             |
|                | S1R3054   | 30 (762)           | 54 (1372)          | 79 (36)             |
|                | S1R3060   | 30 (762)           | 60 (1524)          | 87 (39)             |
|                | S1R3636   | 36 (914)           | 36 (914)           | 65 (25)             |
|                | S1R3642   | 36 (914)           | 42 (1067)          | 79 (36)             |
|                | S1R3648   | 36 (914)           | 48 (1219)          | 85 (39)             |
|                | S1R3654   | 36 (914)           | 54 (1372)          | 91 (41)             |
|                | S1R3660   | 36 (914)           | 60 (1524)          | 100 (45)            |
|                | S1R3666   | 36 (914)           | 66 (1676)          | 109 (49)            |
|                | S1R3672   | 36 (914)           | 72 (1829)          | 116 (53)            |
|                | S1R4242   | 42 (1067)          | 42 (1067)          | 93 (42)             |
|                |           |                    |                    |                     |
|                |           |                    |                    |                     |





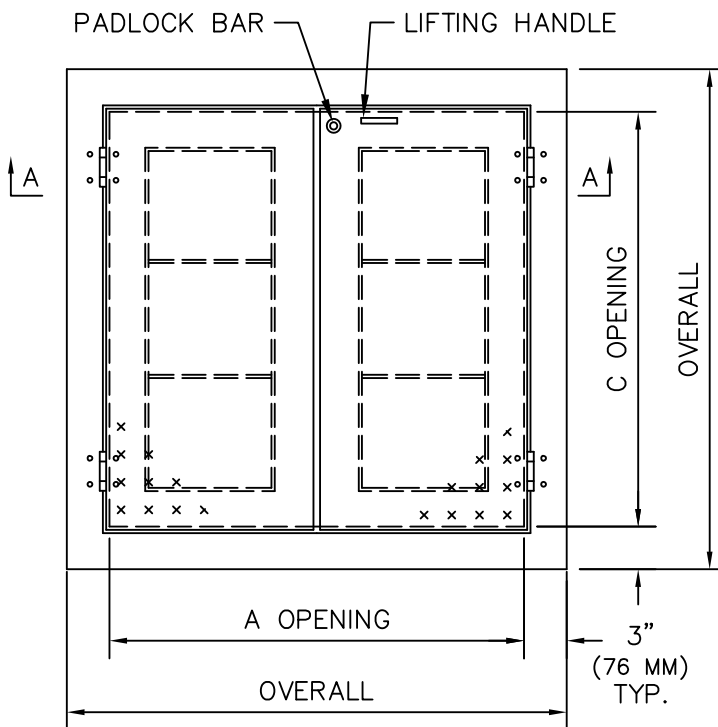
# Series S2R Access Door



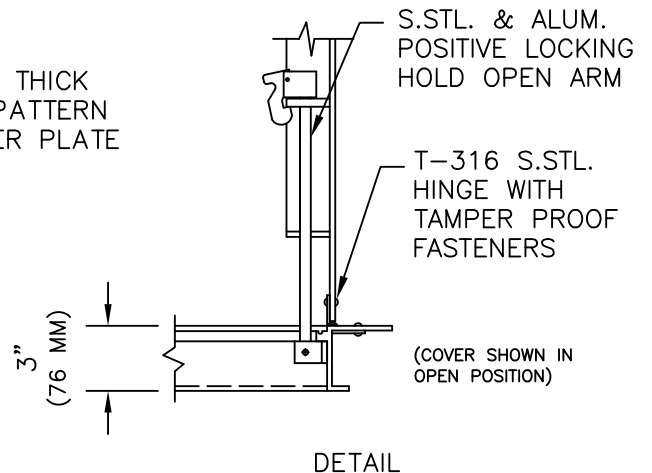
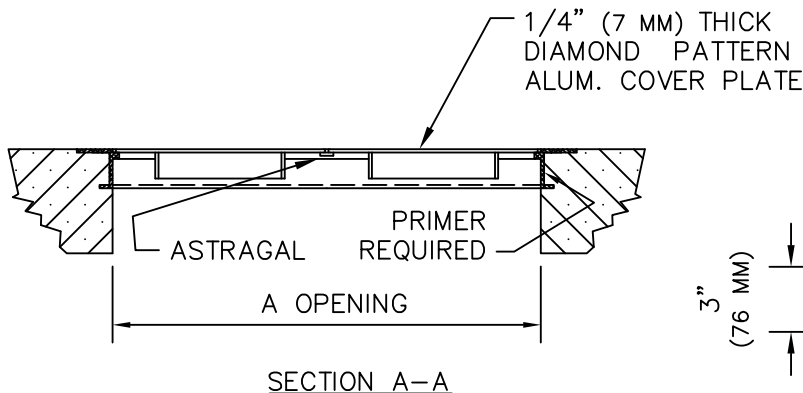
## STANDARD FEATURES:

- AUTO-LOCK T-316 STAINLESS STEEL HOLD OPEN ARM WITH RELEASE HANDLE
- T-316 STAINLESS STEEL HINGES AND ATTACHING HARDWARE
- NON-CORROSIVE PADLOCK BAR
- DOUBLE LEAF CONSTRUCTION
- 300 LBS. PER SQ. FT. LOAD RATING (1464 KG. PER SQ. METER LOAD RATING)
- EXTRUDED ALUMINUM FRAME
- RECESSED LIFTING HANDLE
- LIFETIME GUARANTEE

(SEE WEBSITE FOR AVAILABLE STAINLESS STEEL ACCESS DOOR MODELS AND SIZES.)



| STANDARD SIZES |           |                    |                    |                     |
|----------------|-----------|--------------------|--------------------|---------------------|
| QTY.           | MODEL NO. | A DIM. INCHES (MM) | C DIM. INCHES (MM) | UNIT WT. LBS. (KG.) |
|                | S2R4242   | 42 (1067)          | 42 (1067)          | 93 (42)             |
|                | S2R4842   | 48 (1219)          | 42 (1067)          | 99 (45)             |
|                | S2R4848   | 48 (1219)          | 48 (1219)          | 110 (50)            |
|                | S2R5442   | 54 (1372)          | 42 (1067)          | 108 (49)            |
|                | S2R5448   | 54 (1372)          | 48 (1219)          | 119 (54)            |
|                | S2R5454   | 54 (1372)          | 54 (1372)          | 127 (58)            |
|                | S2R6030   | 60 (1524)          | 30 (762)           | 87 (39)             |
|                | S2R6036   | 60 (1524)          | 36 (914)           | 100 (45)            |
|                | S2R6042   | 60 (1524)          | 42 (1067)          | 115 (52)            |
|                | S2R6048   | 60 (1524)          | 48 (1219)          | 130 (59)            |
|                | S2R6054   | 60 (1524)          | 54 (1372)          | 143 (65)            |
|                | S2R6060   | 60 (1524)          | 60 (1524)          | 158 (72)            |
|                | S2R6636   | 66 (1676)          | 36 (914)           | 109 (49)            |
|                | S2R6648   | 66 (1676)          | 48 (1219)          | 141 (64)            |
|                | S2R7236   | 72 (1829)          | 36 (914)           | 116 (53)            |
|                | S2R7242   | 72 (1829)          | 42 (1067)          | 135 (61)            |
|                | S2R7248   | 72 (1829)          | 48 (1219)          | 151 (68)            |
|                | S2R7254   | 72 (1829)          | 54 (1372)          | 168 (76)            |
|                | S2R7260   | 72 (1829)          | 60 (1524)          | 178 (81)            |
|                |           |                    |                    |                     |
|                |           |                    |                    |                     |



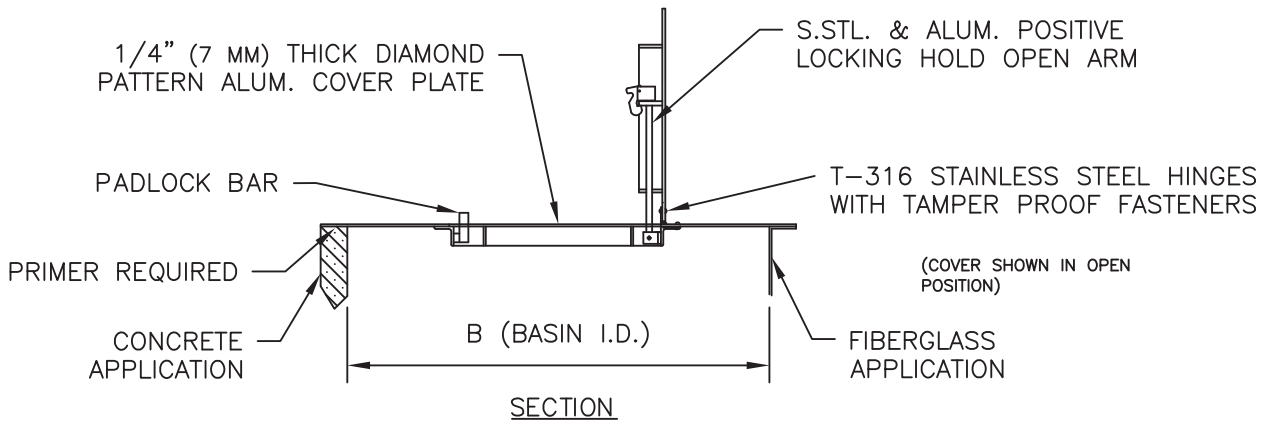
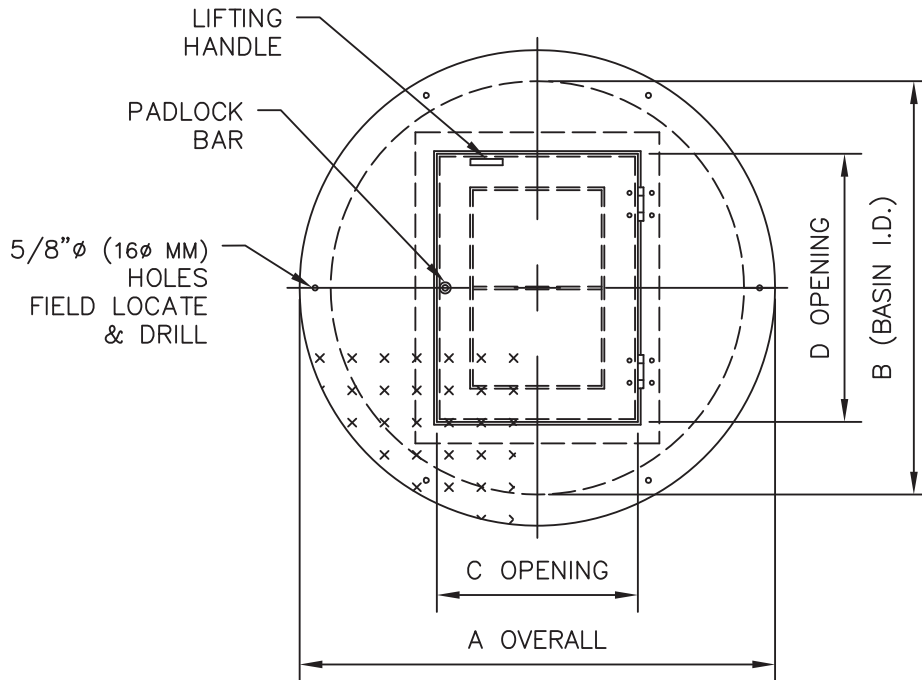
# Series C1R Access Door



## STANDARD FEATURES:

- AUTO-LOCK T-316 STAINLESS STEEL HOLD OPEN ARM WITH RELEASE HANDLE
- T-316 STAINLESS STEEL HINGES AND ATTACHING HARDWARE
- NON-CORROSIVE PADLOCK LOCKING BAR
- VENT COUPLING ON REQUEST
- LARGER SIZES AVAILABLE FOR CONCRETE APPLICATIONS
- SINGLE LEAF CONSTRUCTION
- 300 LBS. PER SQ. FT. LOAD RATING (1464 KG. PER SQ. METER LOAD RATING)
- RECESSED HANDLE
- LIFETIME GUARANTEE

| STANDARD SIZES |           |                    |                    |                    |                    |                     |
|----------------|-----------|--------------------|--------------------|--------------------|--------------------|---------------------|
| QTY.           | MODEL NO. | A DIM. INCHES (MM) | B DIM. INCHES (MM) | C DIM. INCHES (MM) | D DIM. INCHES (MM) | UNIT WT. LBS. (KG.) |
|                | C1R40     | 40 (1016)          | 36 (914)           |                    |                    | 45 (20)             |
|                | C1R52     | 52 (1320)          | 48 (1219)          |                    |                    | 80 (36)             |
|                | C1R64     | 64 (1626)          | 60 (1524)          |                    |                    | 125 (57)            |
|                | C1R76     | 76 (1930)          | 72 (1829)          |                    |                    | 180 (82)            |
|                |           |                    |                    |                    |                    |                     |
|                |           |                    |                    |                    |                    |                     |



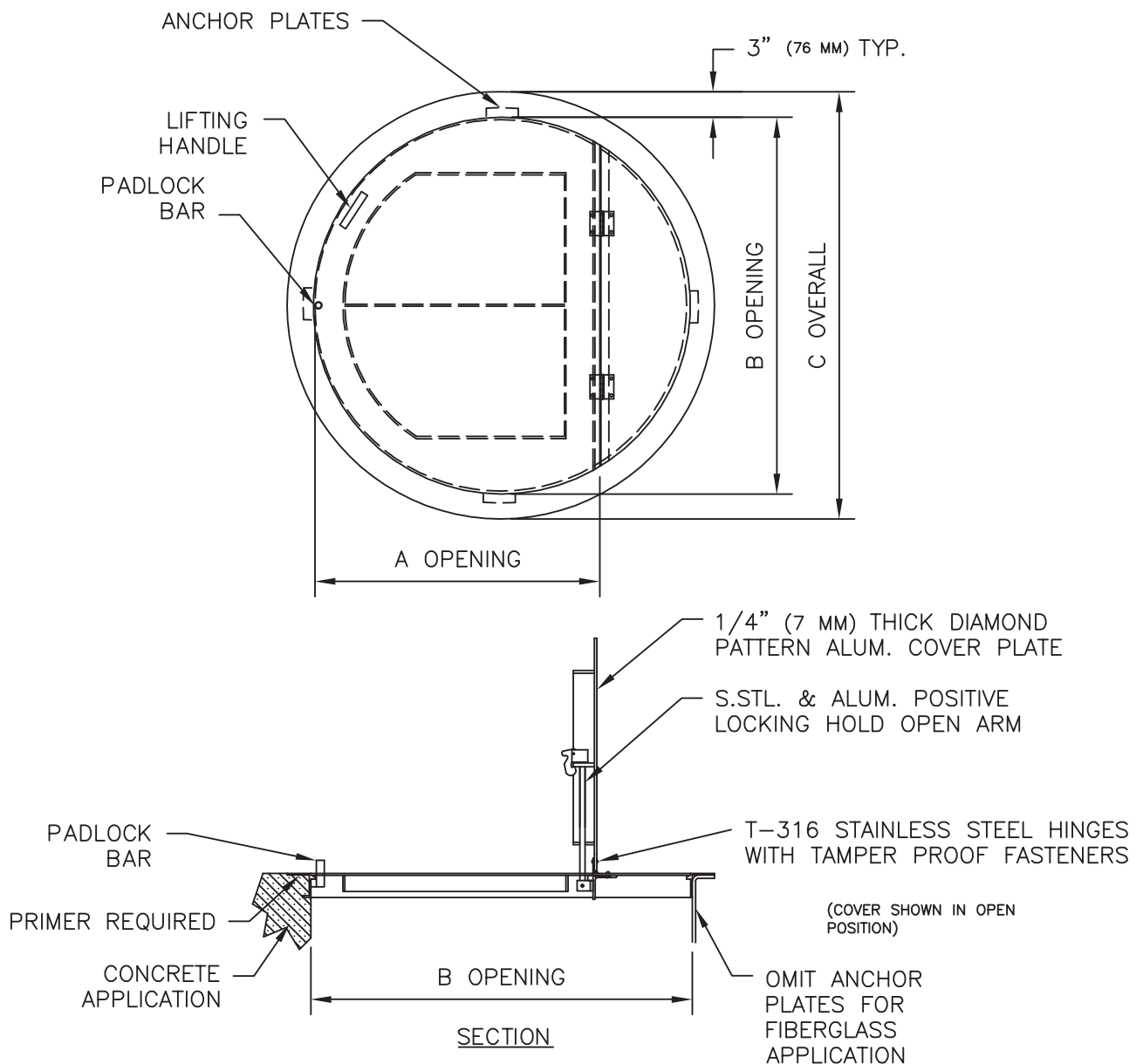
# Series R1R Access Door



## STANDARD FEATURES:

- AUTO-LOCK T-316 STAINLESS STEEL HOLD OPEN ARM WITH RELEASE HANDLE
- T-316 STAINLESS STEEL HINGES AND ATTACHING HARDWARE
- NON-CORROSIVE LOCKING BAR
- SINGLE LEAF CONSTRUCTION FOR MAXIMUM ACCESS
- 300 LBS. PER SQ. FT. LOAD RATING (1464 KG. PER SQ. METER LOAD RATING)
- EXTRUDED ALUMINUM FRAME
- RECESSED LIFTING HANDLE
- ANCHOR PLATES (ORDER WITHOUT FOR FIBERGLASS OR DROP-IN INSTALLATIONS)
- LIFETIME GUARANTEE

| STANDARD SIZES |           |                    |                    |                    |                     |
|----------------|-----------|--------------------|--------------------|--------------------|---------------------|
| QTY.           | MODEL NO. | A DIM. INCHES (MM) | B DIM. INCHES (MM) | C DIM. INCHES (MM) | UNIT WT. LBS. (KG.) |
|                | R1R36     | 24 (610)           | 35 (890)           | 41 (1041)          | 62 (28)             |
|                | R1R48     | 32 (813)           | 47 (1194)          | 53 (1346)          | 86 (39)             |
|                | R1R60     | 40 (1016)          | 59 (1499)          | 65 (1651)          | 136 (62)            |
|                | R1R72     | 48 (1219)          | 71 (1803)          | 77 (1956)          | 175 (79)            |
|                |           |                    |                    |                    |                     |
|                |           |                    |                    |                    |                     |





# Series H1W Access Door

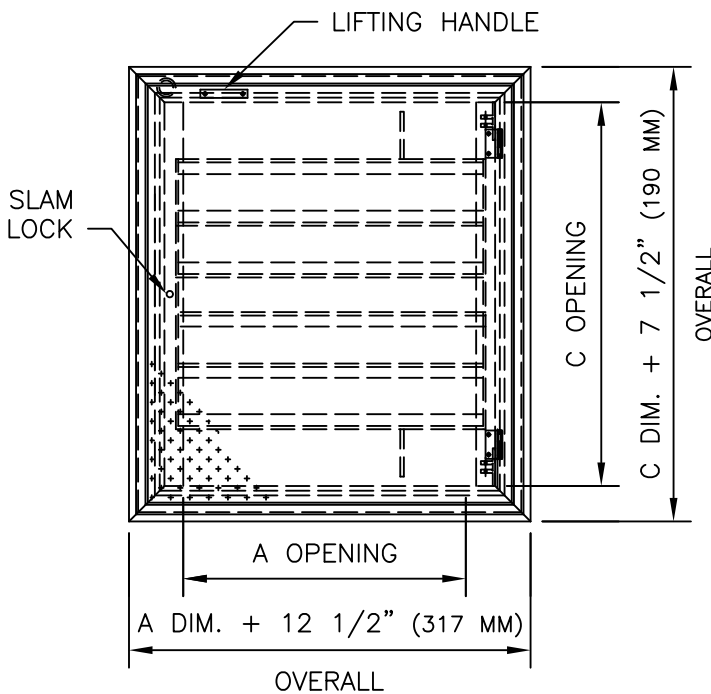


## STANDARD FEATURES:

- AUTO-LOCK T-316 STAINLESS STEEL HOLD OPEN ARM WITH RELEASE HANDLE
- T-316 STAINLESS STEEL HINGES AND ATTACHING HARDWARE
- T-316 STAINLESS STEEL SLAM LOCK WITH REMOVABLE KEY
- STAINLESS STEEL COMPRESSION SPRING ASSIST
- SINGLE LEAF CONSTRUCTION
- H20 LOAD RATING (SEE NOTES)
- EXTRUDED ALUMINUM CHANNEL FRAME
- RECESSED LIFTING HANDLE
- LIFETIME GUARANTEE

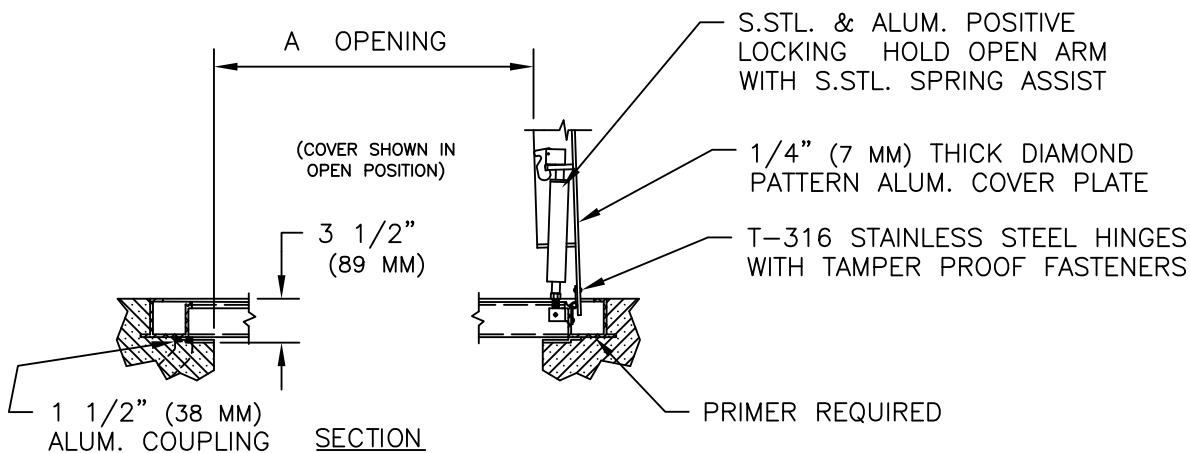
(SEE WEBSITE FOR AVAILABLE STAINLESS STEEL ACCESS DOOR MODELS AND SIZES.)

| STANDARD SIZES |           |                    |                    |                     |
|----------------|-----------|--------------------|--------------------|---------------------|
| QTY.           | MODEL NO. | A DIM. INCHES (MM) | C DIM. INCHES (MM) | UNIT WT. LBS. (KG.) |
|                | H1W2424   | 24 (610)           | 24 (610)           | 72 (33)             |
|                | H1W2430   | 24 (610)           | 30 (762)           | 90 (41)             |
|                | H1W2436   | 24 (610)           | 36 (914)           | 108 (49)            |
|                | H1W2442   | 24 (610)           | 42 (1067)          | 126 (57)            |
|                | H1W3030   | 30 (762)           | 30 (762)           | 113 (51)            |
|                | H1W3036   | 30 (762)           | 36 (914)           | 135 (61)            |
|                | H1W3042   | 30 (762)           | 42 (1067)          | 158 (72)            |
|                | H1W3048   | 30 (762)           | 48 (1219)          | 180 (82)            |
|                | H1W3636   | 36 (914)           | 36 (914)           | 162 (73)            |
|                | H1W3642   | 36 (914)           | 42 (1067)          | 189 (86)            |
|                | H1W3648   | 36 (914)           | 48 (1219)          | 216 (98)            |
|                |           |                    |                    |                     |
|                |           |                    |                    |                     |



## NOTES:

- 1) SUITABLE FOR USE IN OFF STREET LOCATION WHERE NOT SUBJECTED TO HIGH DENSITY TRAFFIC.
- 2) PROVIDE A FULL BED OF CLASS "A" CONCRETE UNDER FRAME AND SUPPORT ANGLES.

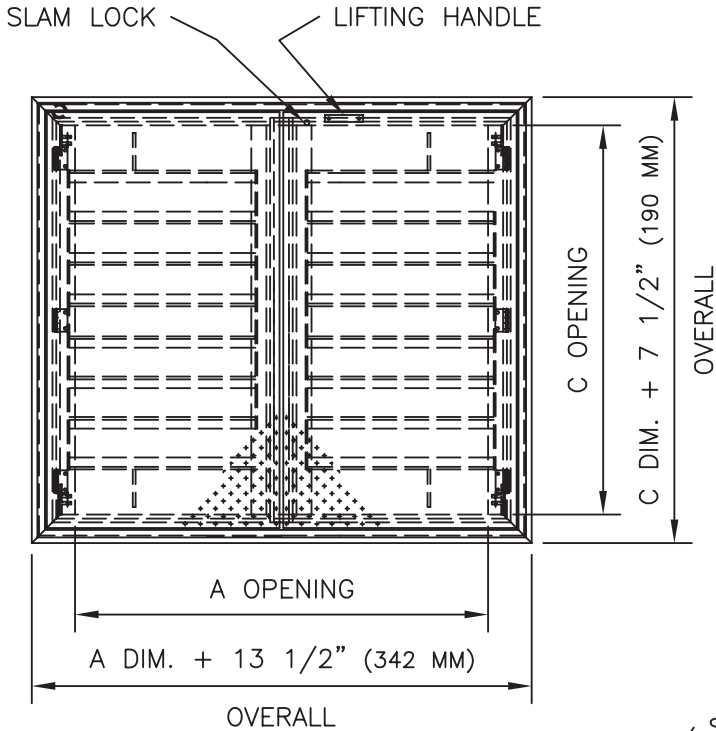


# Series H2W Access Door

STANDARD FEATURES:

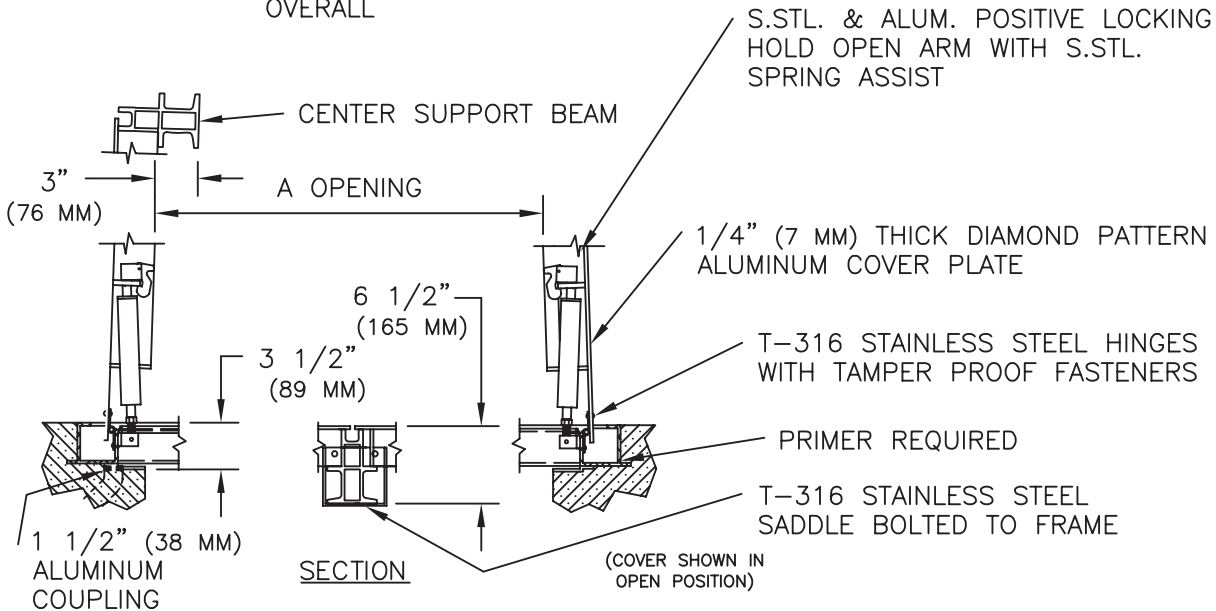
- AUTO-LOCK T-316 STAINLESS STEEL HOLD OPEN ARM WITH RELEASE HANDLE
- T-316 STAINLESS STEEL HINGES AND ATTACHING HARDWARE
- T-316 STAINLESS STEEL SLAM LOCK WITH REMOVABLE KEY
- STAINLESS STEEL COMPRESSION SPRING ASSIST
- DOUBLE LEAF CONSTRUCTION
- H20 LOAD RATING (SEE NOTES)
- EXTRUDED ALUMINUM CHANNEL FRAME
- RECESSED LIFTING HANDLE
- LIFETIME GUARANTEE

| STANDARD SIZES |           |                    |                    |                     |
|----------------|-----------|--------------------|--------------------|---------------------|
| QTY.           | MODEL NO. | A DIM. INCHES (MM) | C DIM. INCHES (MM) | UNIT WT. LBS. (KG.) |
|                | H2W4242   | 42 (1067)          | 42 (1067)          | 223 (101)           |
|                | H2W4842   | 48 (1219)          | 42 (1067)          | 238 (108)           |
|                | H2W4848   | 48 (1219)          | 48 (1219)          | 263 (119)           |
|                | H2W5442   | 54 (1372)          | 42 (1067)          | 252 (114)           |
|                | H2W5448   | 54 (1372)          | 48 (1219)          | 284 (129)           |
|                | H2W6048   | 60 (1524)          | 48 (1219)          | 300 (136)           |
|                | H2W6060   | 60 (1524)          | 60 (1524)          | 373 (169)           |
|                | H2W7248   | 72 (1829)          | 48 (1219)          | 341 (155)           |
|                | H2W7260   | 72 (1829)          | 60 (1524)          | 413 (187)           |
|                | H2W7272   | 72 (1829)          | 72 (1829)          | 504 (229)           |
|                |           |                    |                    |                     |
|                |           |                    |                    |                     |



NOTES:

- 1) SUITABLE FOR USE IN OFF STREET LOCATION WHERE NOT SUBJECTED TO HIGH DENSITY TRAFFIC.
- 2) PROVIDE A FULL BED OF CLASS "A" CONCRETE UNDER FRAME AND SUPPORT ANGLES.

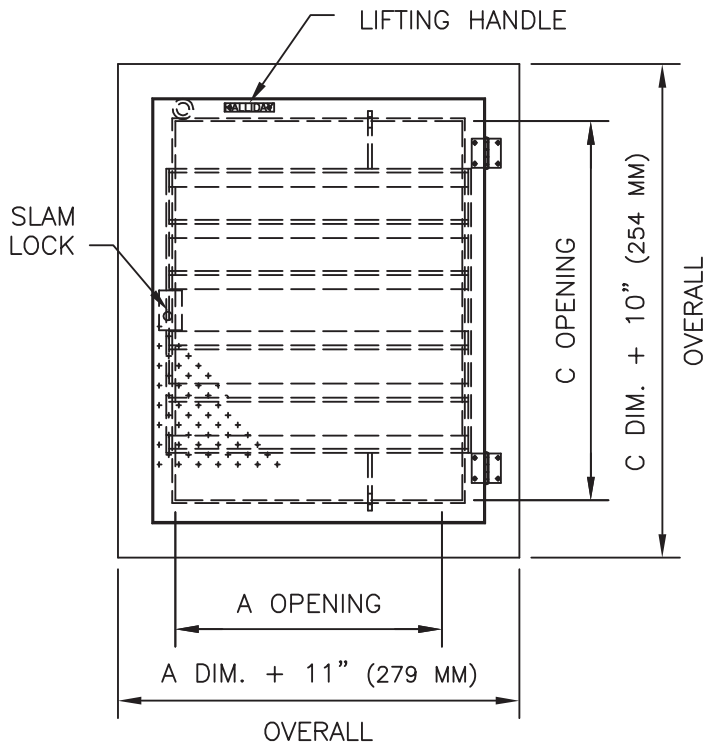


# Series H1C Access Door



## STANDARD FEATURES:

- AUTO-LOCK T-316 STAINLESS STEEL HOLD OPEN ARM WITH RELEASE HANDLE
- T-316 STAINLESS STEEL HINGES AND ATTACHING HARDWARE
- T-316 STAINLESS STEEL SLAM LOCK WITH REMOVABLE KEY
- STAINLESS STEEL COMPRESSION SPRING ASSIST
- SINGLE LEAF CONSTRUCTION
- H20 LOAD RATING (SEE NOTES)
- EXTRUDED ALUMINUM CHANNEL FRAME
- RECESSED LIFTING HANDLE
- LIFETIME GUARANTEE

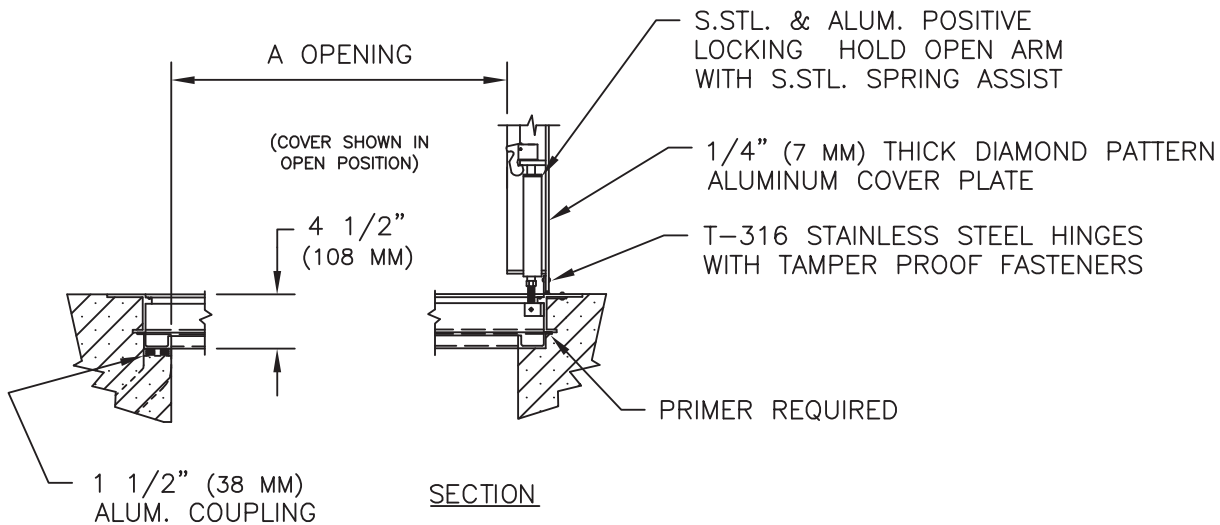


| STANDARD SIZES |           |                    |                    |                     |
|----------------|-----------|--------------------|--------------------|---------------------|
| QTY.           | MODEL NO. | A DIM. INCHES (MM) | C DIM. INCHES (MM) | UNIT WT. LBS. (KG.) |
|                | H1C2424   | 24 (610)           | 24 (610)           | 85 (39)             |
|                | H1C2430   | 24 (610)           | 30 (762)           | 100 (45)            |
|                | H1C2436   | 24 (610)           | 36 (914)           | 115 (52)            |
|                | H1C2442   | 24 (610)           | 42 (1067)          | 130 (59)            |
|                | H1C3030   | 30 (762)           | 30 (762)           | 108 (49)            |
|                | H1C3036   | 30 (762)           | 36 (914)           | 124 (56)            |
|                | H1C3042   | 30 (762)           | 42 (1067)          | 140 (64)            |
|                | H1C3048   | 30 (762)           | 48 (1219)          | 157 (71)            |
|                | H1C3636   | 36 (914)           | 36 (914)           | 134 (61)            |
|                | H1C3642   | 36 (914)           | 42 (1067)          | 151 (68)            |
|                | H1C3648   | 36 (914)           | 48 (1219)          | 166 (75)            |
|                |           |                    |                    |                     |
|                |           |                    |                    |                     |

## NOTES:

1) SUITABLE FOR USE IN OFF STREET LOCATION WHERE NOT SUBJECTED TO HIGH DENSITY TRAFFIC.

2) PROVIDE A FULL BED OF CLASS "A" CONCRETE UNDER FRAME AND SUPPORT ANGLES.

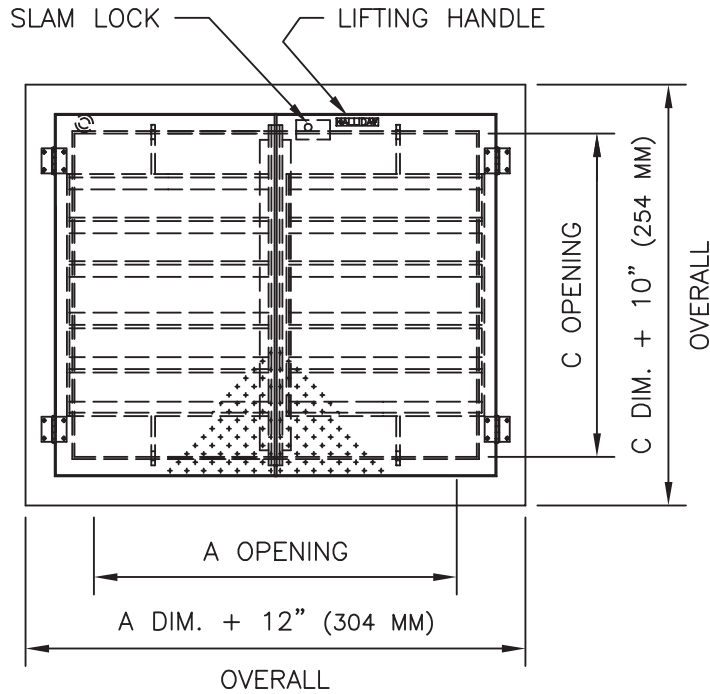




# Series H2C Access Door

## STANDARD FEATURES:

- AUTO-LOCK T-316 STAINLESS STEEL HOLD OPEN ARM WITH RELEASE HANDLE
- T-316 STAINLESS STEEL HINGES AND ATTACHING HARDWARE
- T-316 STAINLESS STEEL SLAM LOCK WITH REMOVABLE KEY
- STAINLESS STEEL COMPRESSION SPRING ASSIST
- DOUBLE LEAF CONSTRUCTION
- H20 LOAD RATING (SEE NOTES)
- EXTRUDED ALUMINUM CHANNEL FRAME
- RECESSED LIFTING HANDLE
- LIFETIME GUARANTEE

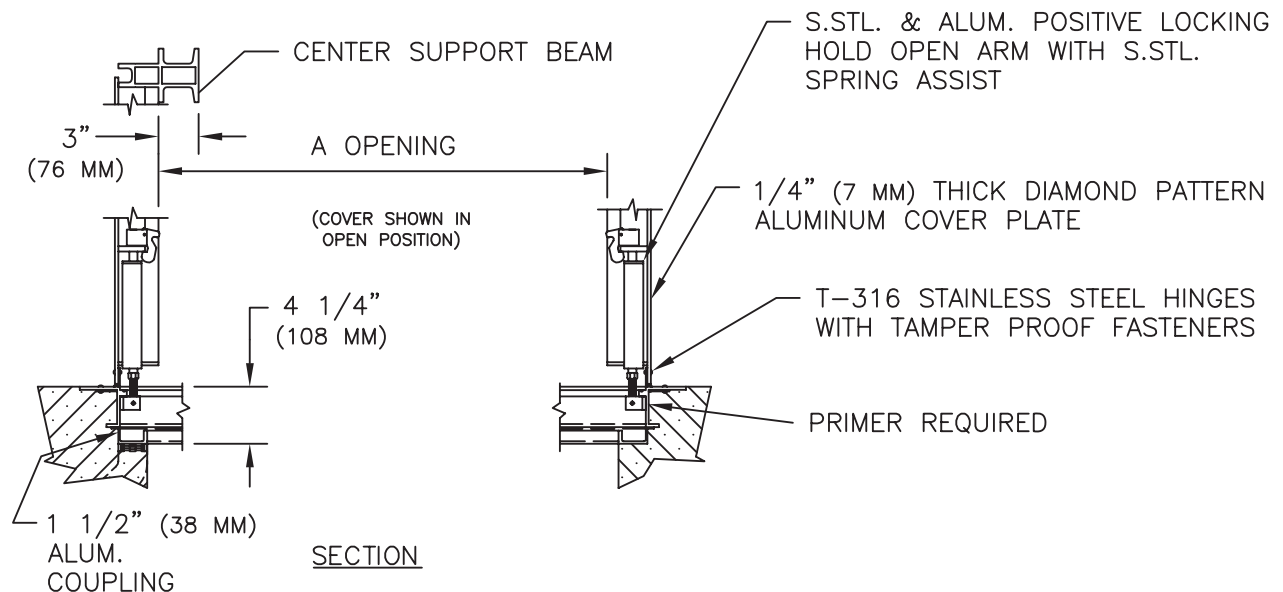


| STANDARD SIZES |           |                    |                    |                     |
|----------------|-----------|--------------------|--------------------|---------------------|
| QTY.           | MODEL NO. | A DIM. INCHES (MM) | C DIM. INCHES (MM) | UNIT WT. LBS. (KG.) |
|                | H2C4242   | 42 (1067)          | 42 (1067)          | 260 (118)           |
|                | H2C4842   | 48 (1219)          | 42 (1067)          | 289 (131)           |
|                | H2C4848   | 48 (1219)          | 48 (1219)          | 323 (147)           |
|                | H2C5442   | 54 (1372)          | 42 (1067)          | 318 (144)           |
|                | H2C5448   | 54 (1372)          | 48 (1219)          | 355 (161)           |
|                | H2C6048   | 60 (1524)          | 48 (1219)          | 367 (166)           |
|                | H2C6060   | 60 (1524)          | 60 (1524)          | 429 (195)           |
|                | H2C7248   | 72 (1829)          | 48 (1219)          | 400 (181)           |
|                | H2C7260   | 72 (1829)          | 60 (1524)          | 483 (219)           |
|                | H2C7272   | 72 (1829)          | 72 (1829)          | 566 (257)           |
|                |           |                    |                    |                     |
|                |           |                    |                    |                     |

## NOTES:

1) SUITABLE FOR USE IN OFF STREET LOCATION WHERE NOT SUBJECTED TO HIGH DENSITY TRAFFIC.

2) PROVIDE A FULL BED OF CLASS "A" CONCRETE UNDER FRAME AND SUPPORT ANGLES.



# Series H1R Access Door

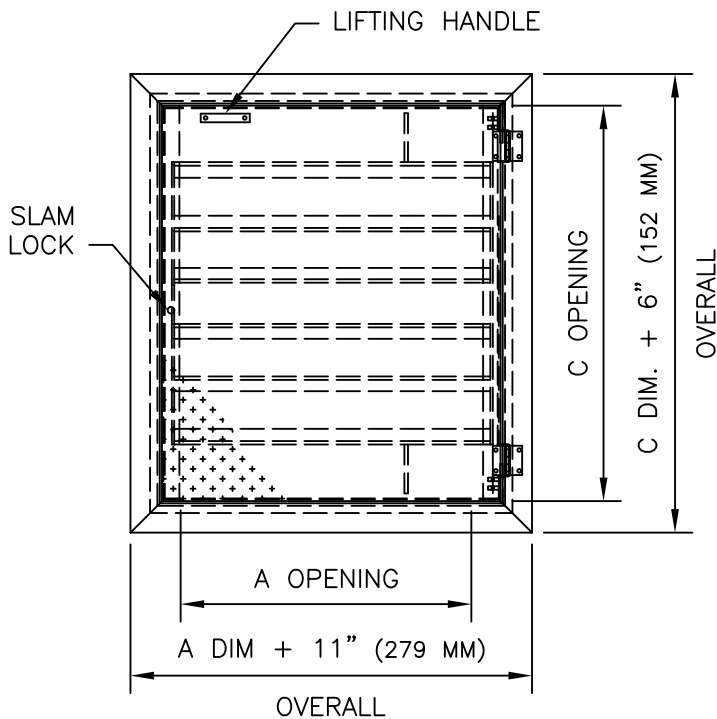


## STANDARD FEATURES:

- AUTO-LOCK T-316 STAINLESS STEEL HOLD OPEN ARM WITH RELEASE HANDLE
- T-316 STAINLESS STEEL HINGES AND ATTACHING HARDWARE
- T-316 STAINLESS STEEL SLAM LOCK WITH REMOVABLE KEY
- STAINLESS STEEL COMPRESSION SPRING ASSIST
- SINGLE LEAF CONSTRUCTION
- H20 LOAD RATING (SEE NOTES)
- EXTRUDED ALUMINUM FRAME
- RECESSED LIFTING HANDLE
- LIFETIME GUARANTEE

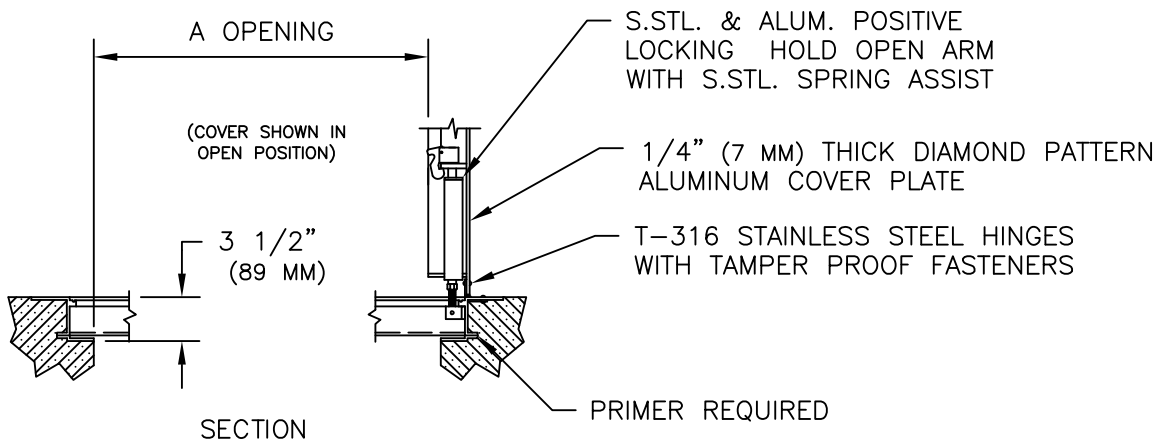
(SEE WEBSITE FOR AVAILABLE STAINLESS STEEL ACCESS DOOR MODELS AND SIZES.)

| STANDARD SIZES |           |                    |                    |                     |
|----------------|-----------|--------------------|--------------------|---------------------|
| QTY.           | MODEL NO. | A DIM. INCHES (MM) | C DIM. INCHES (MM) | UNIT WT. LBS. (KG.) |
|                | H1R2424   | 24 (610)           | 24 (610)           | 60 (27)             |
|                | H1R2430   | 24 (610)           | 30 (762)           | 75 (34)             |
|                | H1R2436   | 24 (610)           | 36 (914)           | 90 (41)             |
|                | H1R2442   | 24 (610)           | 42 (1067)          | 105 (48)            |
|                | H1R3030   | 30 (762)           | 30 (762)           | 94 (43)             |
|                | H1R3036   | 30 (762)           | 36 (914)           | 113 (51)            |
|                | H1R3042   | 30 (762)           | 42 (1067)          | 131 (59)            |
|                | H1R3048   | 30 (762)           | 48 (1219)          | 150 (68)            |
|                | H1R3636   | 36 (914)           | 36 (914)           | 135 (61)            |
|                | H1R3642   | 36 (914)           | 42 (1067)          | 158 (72)            |
|                | H1R3648   | 36 (914)           | 48 (1219)          | 180 (82)            |
|                |           |                    |                    |                     |
|                |           |                    |                    |                     |



## NOTES:

- 1) SUITABLE FOR USE IN OFF STREET LOCATION WHERE NOT SUBJECTED TO HIGH DENSITY TRAFFIC.
- 2) PROVIDE A FULL BED OF CLASS "A" CONCRETE UNDER FRAME AND SUPPORT ANGLES.

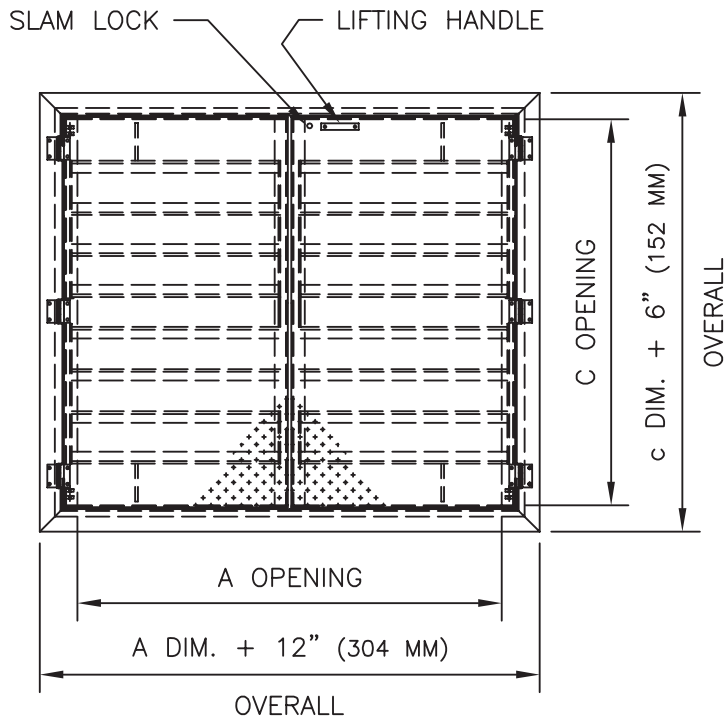


# Series H2R Access Door



## STANDARD FEATURES:

- AUTO-LOCK T-316 STAINLESS STEEL HOLD OPEN ARM WITH RELEASE HANDLE
- T-316 STAINLESS STEEL HINGES AND ATTACHING HARDWARE
- T-316 STAINLESS STEEL SLAM LOCK WITH REMOVABLE KEY
- STAINLESS STEEL COMPRESSION SPRING ASSIST
- DOUBLE LEAF CONSTRUCTION
- H20 LOAD RATING (SEE NOTES)
- EXTRUDED ALUMINUM FRAME
- RECESSED LIFTING HANDLE
- LIFETIME GUARANTEE

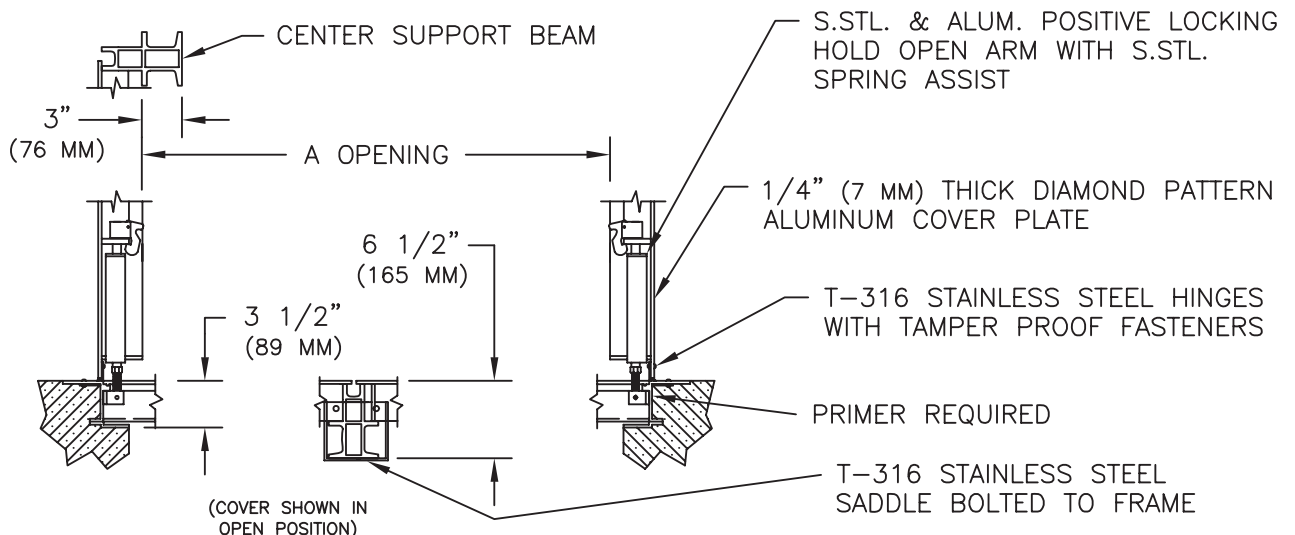


| STANDARD SIZES |           |                    |                    |                     |
|----------------|-----------|--------------------|--------------------|---------------------|
| QTY.           | MODEL NO. | A DIM. INCHES (MM) | C DIM. INCHES (MM) | UNIT WT. LBS. (KG.) |
|                | H2R4242   | 42 (1067)          | 42 (1067)          | 198 (90)            |
|                | H2R4842   | 48 (1219)          | 42 (1067)          | 217 (98)            |
|                | H2R4848   | 48 (1219)          | 48 (1219)          | 235 (107)           |
|                | H2R5442   | 54 (1372)          | 42 (1067)          | 228 (103)           |
|                | H2R5448   | 54 (1372)          | 48 (1219)          | 257 (117)           |
|                | H2R6048   | 60 (1524)          | 48 (1219)          | 268 (122)           |
|                | H2R6060   | 60 (1524)          | 60 (1524)          | 339 (154)           |
|                | H2R7248   | 72 (1829)          | 48 (1219)          | 305 (138)           |
|                | H2R7260   | 72 (1829)          | 60 (1524)          | 374 (170)           |
|                | H2R7272   | 72 (1829)          | 72 (1829)          | 449 (204)           |
|                |           |                    |                    |                     |
|                |           |                    |                    |                     |

## NOTES:

1) SUITABLE FOR USE IN OFF STREET LOCATION WHERE NOT SUBJECTED TO HIGH DENSITY TRAFFIC.

2) PROVIDE A FULL BED OF CLASS "A" CONCRETE UNDER FRAME AND SUPPORT ANGLES.





# Series F1R Access Door

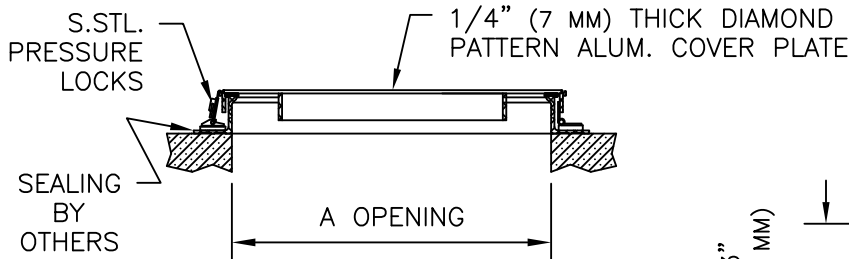
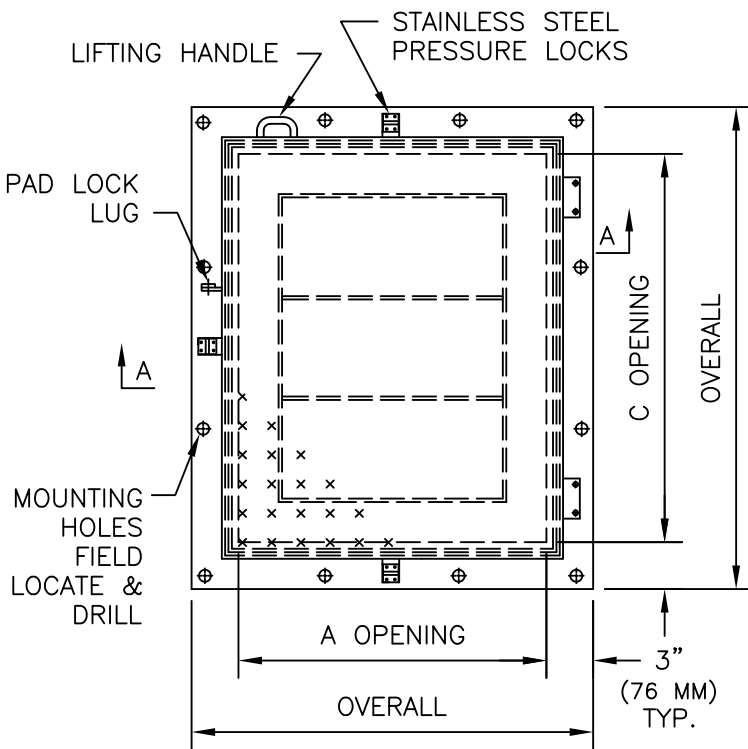


## STANDARD FEATURES:

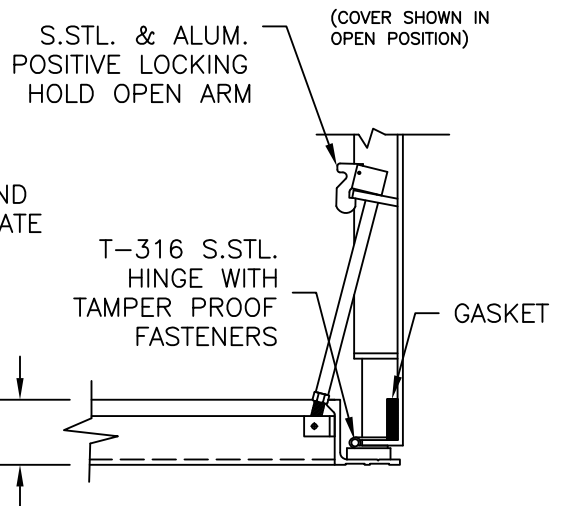
- AUTO-LOCK T-316 STAINLESS STEEL HOLD OPEN ARM WITH RELEASE HANDLE
- TYPE-316 STAINLESS STEEL HINGES AND ATTACHING HARDWARE
- STAINLESS STEEL PRESSURE LOCKS
- 1/4" (7 MM) NEOPRENE GASKET
- PADLOCK LUG
- SINGLE LEAF CONSTRUCTION
- 625 LBS. PER SQ. FT. LOAD RATING (28 KG. PER SQ. METER LOAD RATING)
- EXTRUDED ALUMINUM FRAME
- LIFETIME GUARANTEE

(SEE WEBSITE FOR AVAILABLE STAINLESS STEEL ACCESS DOOR MODELS AND SIZES.)

| STANDARD SIZES |           |                    |                    |                     |
|----------------|-----------|--------------------|--------------------|---------------------|
| QTY.           | MODEL NO. | A DIM. INCHES (MM) | C DIM. INCHES (MM) | UNIT WT. LBS. (KG.) |
|                | F1R2424   | 24 (610)           | 24 (610)           | 46 (21)             |
|                | F1R2430   | 24 (610)           | 30 (762)           | 51 (23)             |
|                | F1R2436   | 24 (610)           | 36 (914)           | 61 (28)             |
|                | F1R2442   | 24 (610)           | 42 (1067)          | 77 (35)             |
|                | F1R2448   | 24 (610)           | 48 (1219)          | 85 (39)             |
|                | F1R3030   | 30 (762)           | 30 (762)           | 54 (24)             |
|                | F1R3036   | 30 (762)           | 36 (914)           | 69 (31)             |
|                | F1R3042   | 30 (762)           | 42 (1067)          | 77 (35)             |
|                | F1R3048   | 30 (762)           | 48 (1219)          | 85 (39)             |
|                | F1R3054   | 30 (762)           | 54 (1372)          | 99 (45)             |
|                | F1R3060   | 30 (762)           | 60 (1524)          | 106 (48)            |
|                | F1R3636   | 36 (914)           | 36 (914)           | 70 (32)             |
|                | F1R3642   | 36 (914)           | 42 (1067)          | 89 (40)             |
|                | F1R3648   | 36 (914)           | 48 (1219)          | 97 (44)             |
|                | F1R3654   | 36 (914)           | 54 (1372)          | 107 (49)            |
|                | F1R3660   | 36 (914)           | 60 (1524)          | 104 (47)            |
|                | F1R3666   | 36 (914)           | 66 (1676)          | 126 (57)            |
|                | F1R3672   | 36 (914)           | 72 (1829)          | 135 (61)            |
|                |           |                    |                    |                     |
|                |           |                    |                    |                     |



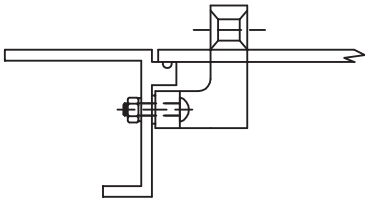
SECTION A-A



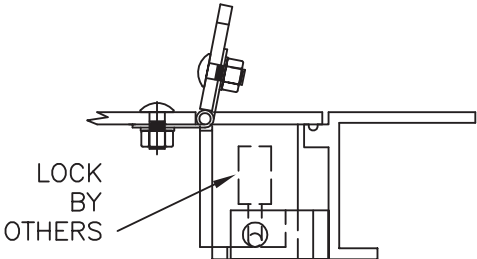
DETAIL

# Access Cover Popular Options

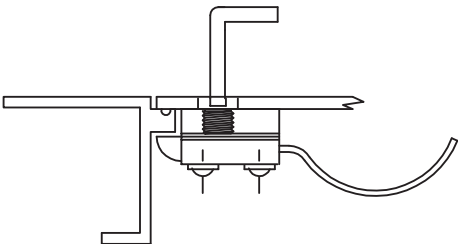
• HALLIDAY PRODUCTS OFFERS A VARIETY OF OPTIONS FOR OUR EXTENSIVE LINE OF QUALITY ACCESS FRAMES AND COVERS. PLEASE CONSULT FACTORY IF YOUR APPLICATION REQUIRES AN OPTION THAT IS NOT SHOWN.



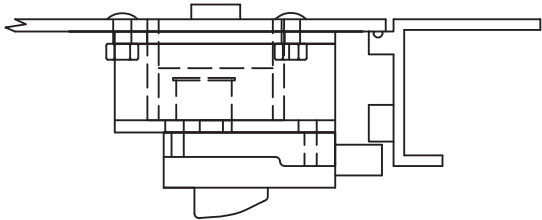
**PADLOCK BAR**



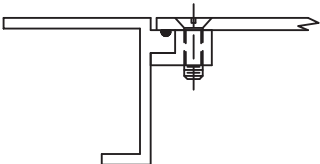
**RECESSED LOCK BOX**



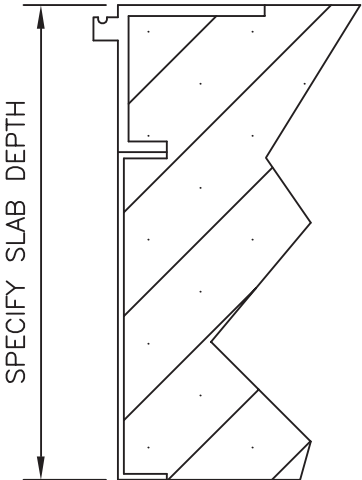
**SLAM LOCK**



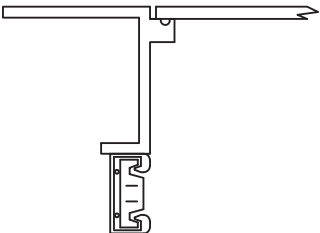
**KEYED CYLINDER LOCK**



**BOLT DOWN FEATURE**



**SLAB SKIRTING**



**NUTRAIL**

# Optional Protective Grating Panel



## STANDARD FEATURES:

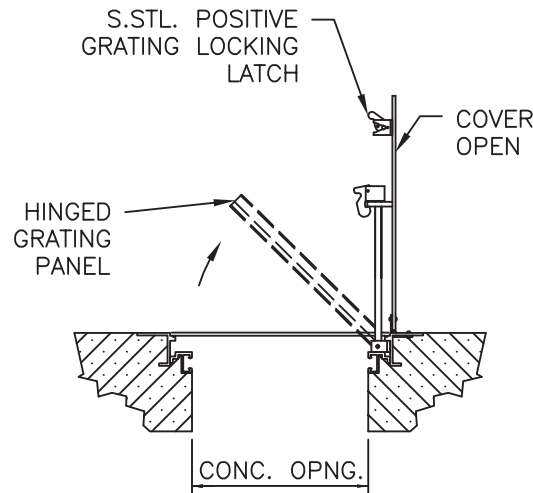
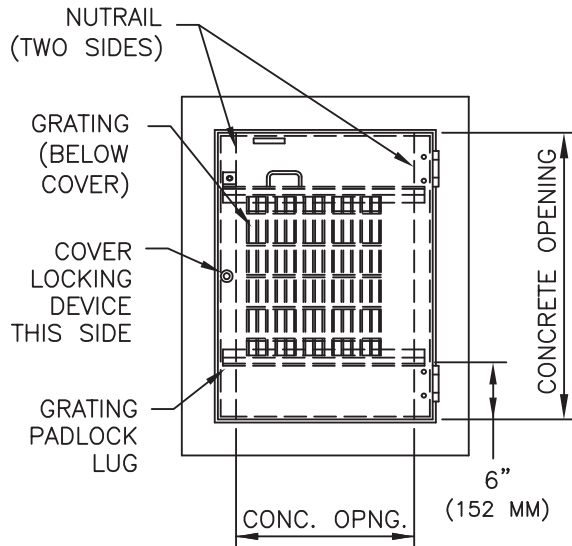
- ALUMINUM "I" BAR CONSTRUCTION
- ALL T-316 STAINLESS STEEL HARDWARE
- LOCKABLE WITH OWNER-SUPPLIED PADLOCK
- HINGED WITH POSITIVE LATCH TO MAINTAIN UPRIGHT POSITION
- LOAD RATED CONSISTENT WITH ACCESS COVER
- VIEW AREA FOR OBSERVATION AND LIMITED MAINTENANCE
- SAFETY ORANGE POWDER-COATED FINISH
- NUTRAIL W/S.STL. SPRING NUTS (300 LBS. PSF [1464 KG. PER METER] LOADED DOORS ONLY)
- LIFETIME GUARANTEE

## APPLICATIONS:

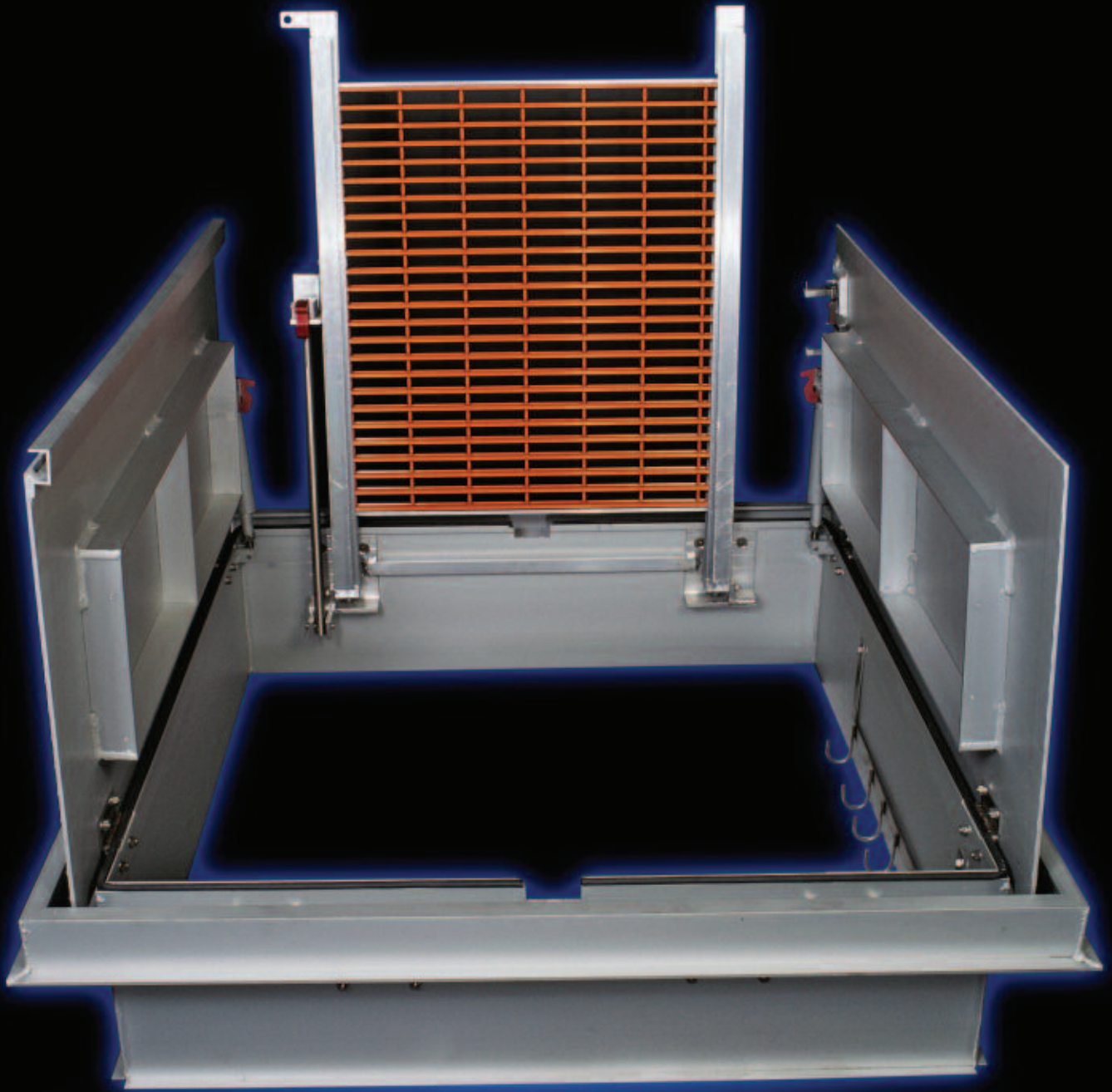
THE OPTIONAL PROTECTIVE GRATING PANEL SHOULD BE SPECIFIED FOR APPLICATIONS IN AREAS THAT REQUIRE ADDITIONAL PROTECTION SHOULD THE ACCESS COVER BE LEFT IN THE OPEN POSITION. THIS OPTION SHOULD ALSO BE CONSIDERED WHEN A SINGLE PERSON INSPECTION OF WET WELLS IS DESIRABLE. THE GRATING PANEL HAS PROVISIONS FOR AN OWNER-SUPPLIED PADLOCK THAT WOULD PROVIDE SECONDARY PROTECTION AGAINST UNAUTHORIZED PERSONNEL OPENING THE ACCESS COVER. THIS OPTION IS NOT AVAILABLE FOR ALL ACCESS COVERS MODELS. PLEASE CONSULT THE FACTORY.

HALLIDAY PRODUCTS OPTIONAL PROTECTIVE GRATING PANEL IS EQUIPPED WITH ALL T-316 STAINLESS STEEL HARDWARE. THIS LOCKABLE GRATING PANEL CAN BE FACTORY INSTALLED ON MOST MODELS IN OUR EXTENSIVE LINE OF QUALITY ACCESS COVERS. EACH GRATING PANEL IS POWDER COAT FINISHED IN SAFETY ORANGE COLOR, AND IS EQUIPPED WITH A T-316 STAINLESS STEEL POSITIVE LATCH WITH RELEASE HANDLE THAT SECURES THE GRATING PANEL IN THE OPEN POSITION. THE GRATING SUPPORT LEDGES FEATURE BUILT-IN NUTRAIL. EACH UNIT IS SUPPLIED WITH FOUR STAINLESS STEEL SPRING NUTS USED TO MOUNT PUMP BRACKETS AND CABLE HOLDERS.

- CONSULT FACTORY FOR ALL PRICING
- FOR ADDITIONAL INFORMATION VISIT US AT:  
HallidayProducts.com



**Retro-Grate™**







# Introducing Retro-Grate™

**The custom made fall-thru protection system designed to fit most openings, regardless of the cover manufacturer. Easily installed, Retro-Grate™ changes a potentially hazardous access cover opening into a safe and secure surrounding.**

Each and every time an access cover is opened, the possibility of a fall-thru accident exists. Retro-Grate™ by Halliday Products eliminates the hazard by covering the opening with a hinged grating panel. When access to the opening is required, the safety color orange powder coated grating panel hinges up and out of the way. Once the work is complete, simply release the latch and lower Retro-Grate™ back into position. The next operator to open the access cover is protected.

Retro-Grate™ is easy to install and allows for minor maintenance and adjustments beneath the access cover without exposing the operator to an uncovered opening. Retro-Grate™ provides additional security against unauthorized entry with the use of an owner supplied padlock and allows for single person inspections.

So, why gamble? Choose Retro-Grate™ by Halliday Products, a proven industry leader you have trusted for over 30 years.

**To receive a price quote, use the convenient form on page 30.**

**RETRO GRATE™**  
FALL-THRU PROTECTION SYSTEM



Before Retro-Grate™



After Retro-Grate™

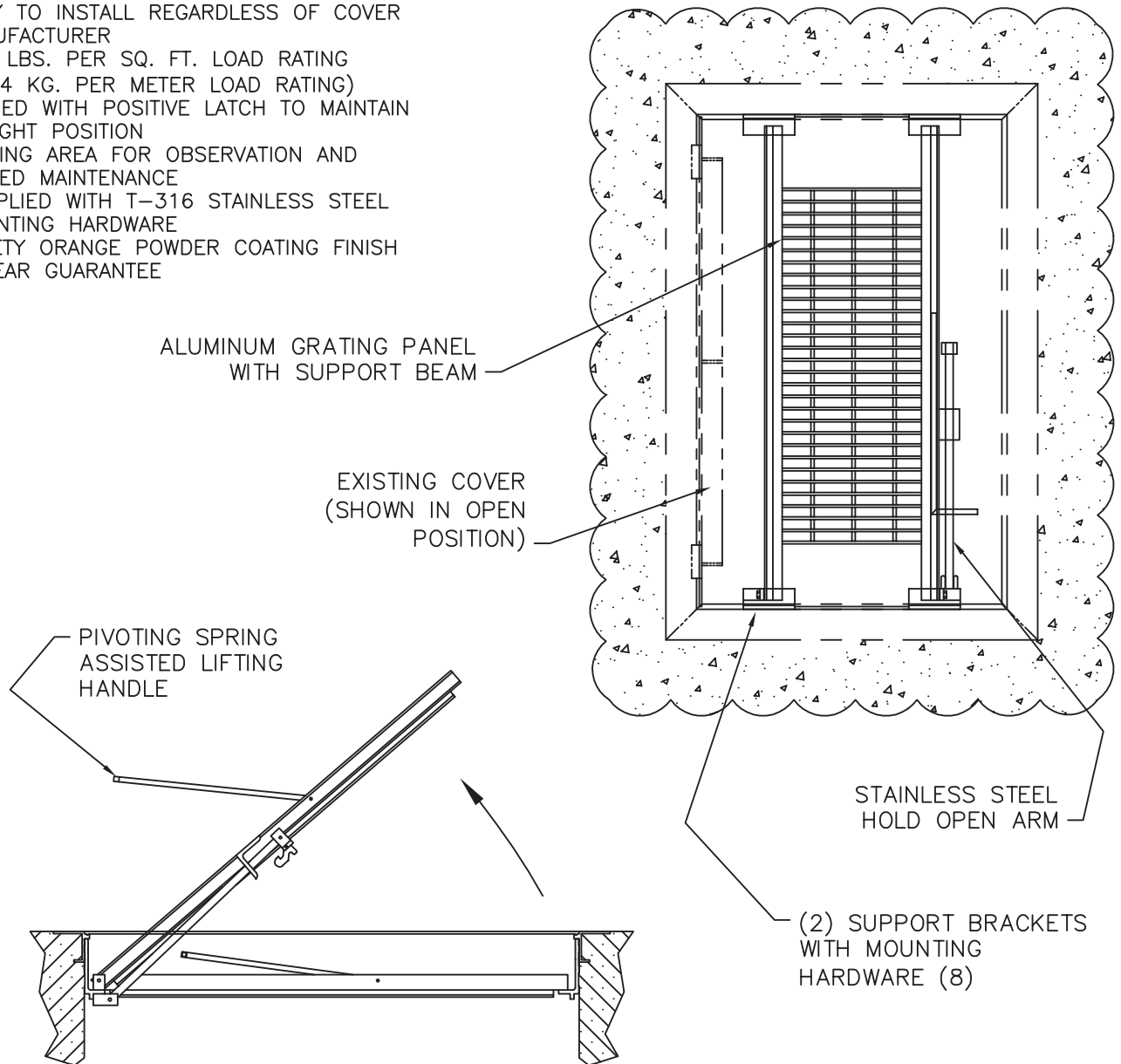


# Series X Retro-Grate™



## STANDARD FEATURES:

- ALUMINUM "1" BAR CONSTRUCTION
- T-316 STAINLESS STEEL HARDWARE
- SPRING LOADED LIFTING HANDLE
- LOCKABLE WITH OWNER SUPPLIED PADLOCK
- EASY TO INSTALL REGARDLESS OF COVER MANUFACTURER
- 300 LBS. PER SQ. FT. LOAD RATING (1464 KG. PER METER LOAD RATING)
- HINGED WITH POSITIVE LATCH TO MAINTAIN UPRIGHT POSITION
- VIEWING AREA FOR OBSERVATION AND LIMITED MAINTENANCE
- SUPPLIED WITH T-316 STAINLESS STEEL MOUNTING HARDWARE
- SAFETY ORANGE POWDER COATING FINISH
- 3 YEAR GUARANTEE



## APPLICATIONS:

THE SERIES X RETRO-GRATE IS A HINGED ALUMINUM GRATING PANEL THAT IS EASILY INSTALLED BENEATH EXISTING ACCESS COVERS REGARDLESS OF THE ORIGINAL COVER MANUFACTURER. THE RETRO-GRATE PROVIDES ADDITIONAL PROTECTION AGAINST FALL THROUGH ACCIDENTS WHEN THE COVER IS LEFT IN THE OPEN POSITION. THE UNIT IS LOCKABLE BY AN OWNER SUPPLIED PADLOCK AND INCORPORATES A SPRING ASSISTED LIFTING HANDLE THAT POSITIONS THE HANDLE NEAR THE SLAB LEVEL. THE UNIT IS SUPPLIED WITH T-316 STAINLESS STEEL MOUNTING HARDWARE AND AN AUTOMATIC HOLD OPEN ARM WITH ALUMINUM RELEASE LATCH. THE RETRO-GRATE IS DESIGNED TO BE INSTALLED BY MOUNTING THE SUPPORT BRACKETS TO EITHER THE EXISTING FRAMEWORK OR TO THE CONCRETE SLAB BELOW THE FRAMEWORK.



Retro-Grate™ installations require specific information that must be obtained from field measurements and observations acquired at each site. **For units larger than 72" x 72", consult factory.** To obtain a price quotation, each unit will need its own form completed with all required information and faxed to the number below. To submit online, select Retro-Grate™ at [www.HallidayProducts.com](http://www.HallidayProducts.com). Please call 800-298-1027 with any questions and our sales staff will be happy to help you. **Pictures may be necessary to ensure proper installation.**

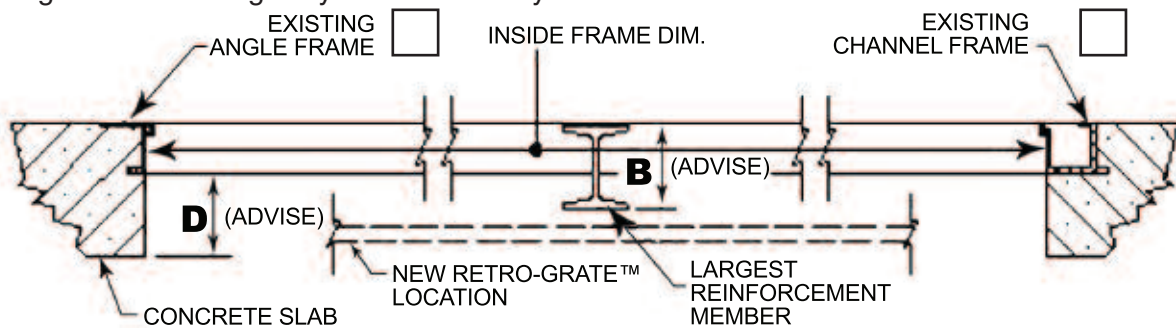


### CONTACT INFORMATION

|         |     |                |  |
|---------|-----|----------------|--|
| COMPANY |     | CONTACT PERSON |  |
| PHONE   | FAX | EMAIL          |  |

### RETRO-GRATE™ REQUIRED INFORMATION

Is the existing frame work angle style or channel style? Check one below.



What is the inside dimension of the frame in both directions? \_\_\_\_\_ **X** \_\_\_\_\_  
(Hinge Side)

|   |  |
|---|--|
| What is the depth of the concrete slab below the existing frame? (D)  |  |
| What is the largest reinforcement member on the existing cover? (B)   |  |
| What is the condition of the concrete at the proposed installation?<br>(If condition of concrete is poor, photos will be required.) | <input type="radio"/> <b>Good</b> <input type="radio"/> <b>Poor</b>                                  |
| How many door leaves are in the existing frame work?  | <input type="radio"/> <b>One</b> <input type="radio"/> <b>Two</b> <input type="radio"/> <b>Other</b> |
| Are there any obstructions in the existing opening?<br>(If so, consult factory, photos will be required.)                           | <input type="radio"/> <b>Yes</b> <input type="radio"/> <b>No</b>                                     |
| Is the slab flush with the inside of the existing frame below the cover?  | <input type="radio"/> <b>Yes</b> <input type="radio"/> <b>No</b>                                     |
| What is the job or location tag?  |  |
| Who is the existing cover manufacturer?   |  |
| City, State and Zip Code of the shipping destination?<br>(For a Freight ESTIMATE)   |  |



Please Fax to 407-298-4534

6401 Edgewater Drive  
Orlando, Florida 32810

# Portable Hoists and Sockets





# Series DA Portable Hoist



## STANDARD FEATURES:

- TYPE-304 STAINLESS STEEL CONSTRUCTION
- 30 FEET (9 METERS) OF 1/4" (7 MM) STAINLESS STEEL CABLE
- GALVANIZED 1 TON HOOK
- DUTTON-LAINSON MARINE GRADE BRAKE WINCH
- 3 YEAR GUARANTEE

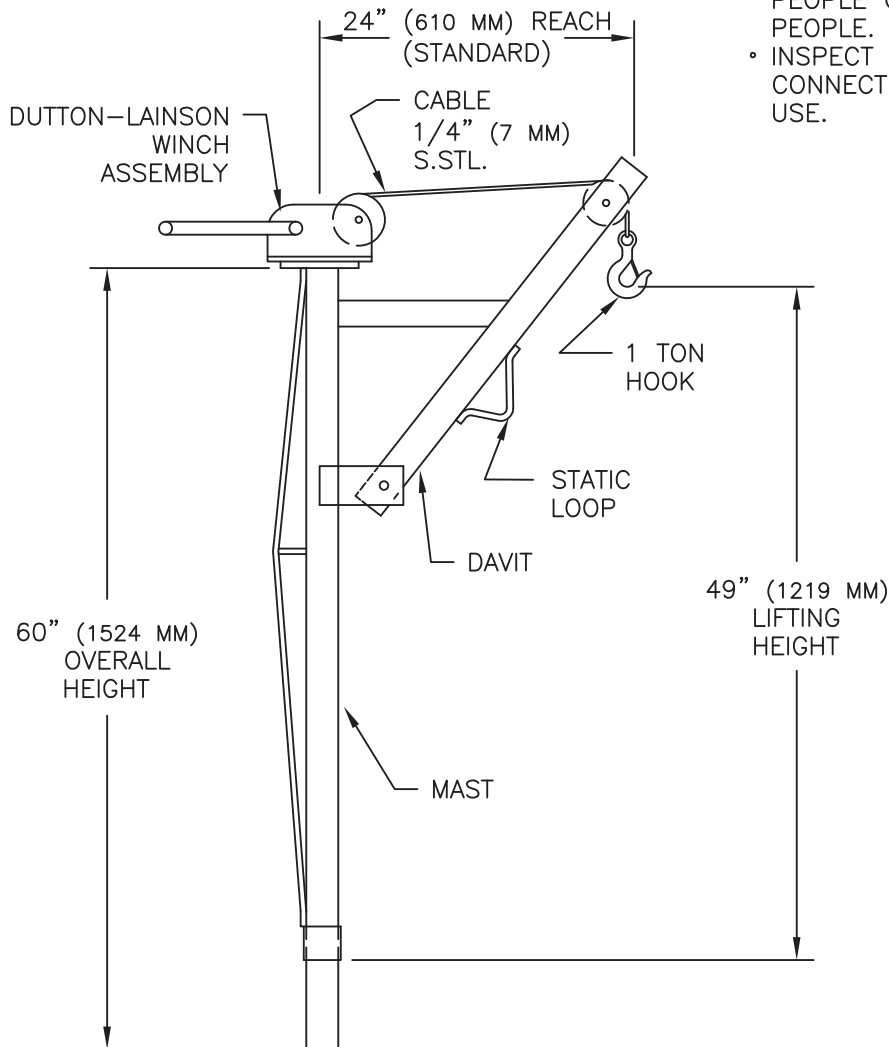
## OPTIONS:

- TYPE-316 CONSTRUCTION
- ADDITIONAL CABLE AVAILABLE (SPECIFY LENGTH)
- STAINLESS STEEL WINCH
- STAINLESS STEEL HOOK
- OTHER REACHES AVAILABLE UPON REQUEST (CONSULT FACTORY)

| STANDARD SIZES |           |                      |                     |
|----------------|-----------|----------------------|---------------------|
| QTY.           | MODEL NO. | MAX .LOAD LBS. (KG.) | UNIT WT. LBS. (KG.) |
|                | D1A24C    | 500 (227)            | 65 (30)             |
|                | D2A24D    | 1000 (454)           | 88 (40)             |
|                | D3A24E    | 1500 (680)           | 103 (48)            |

## NOTICE:

- HALLIDAY PRODUCTS STAINLESS STEEL PORTABLE HOIST SHOULD NOT BE USED TO MOVE PEOPLE OR LOADS ABOVE PEOPLE.
- INSPECT CABLE AND HOOK CONNECTIONS BEFORE EACH USE.



# Series DB Portable Hoist



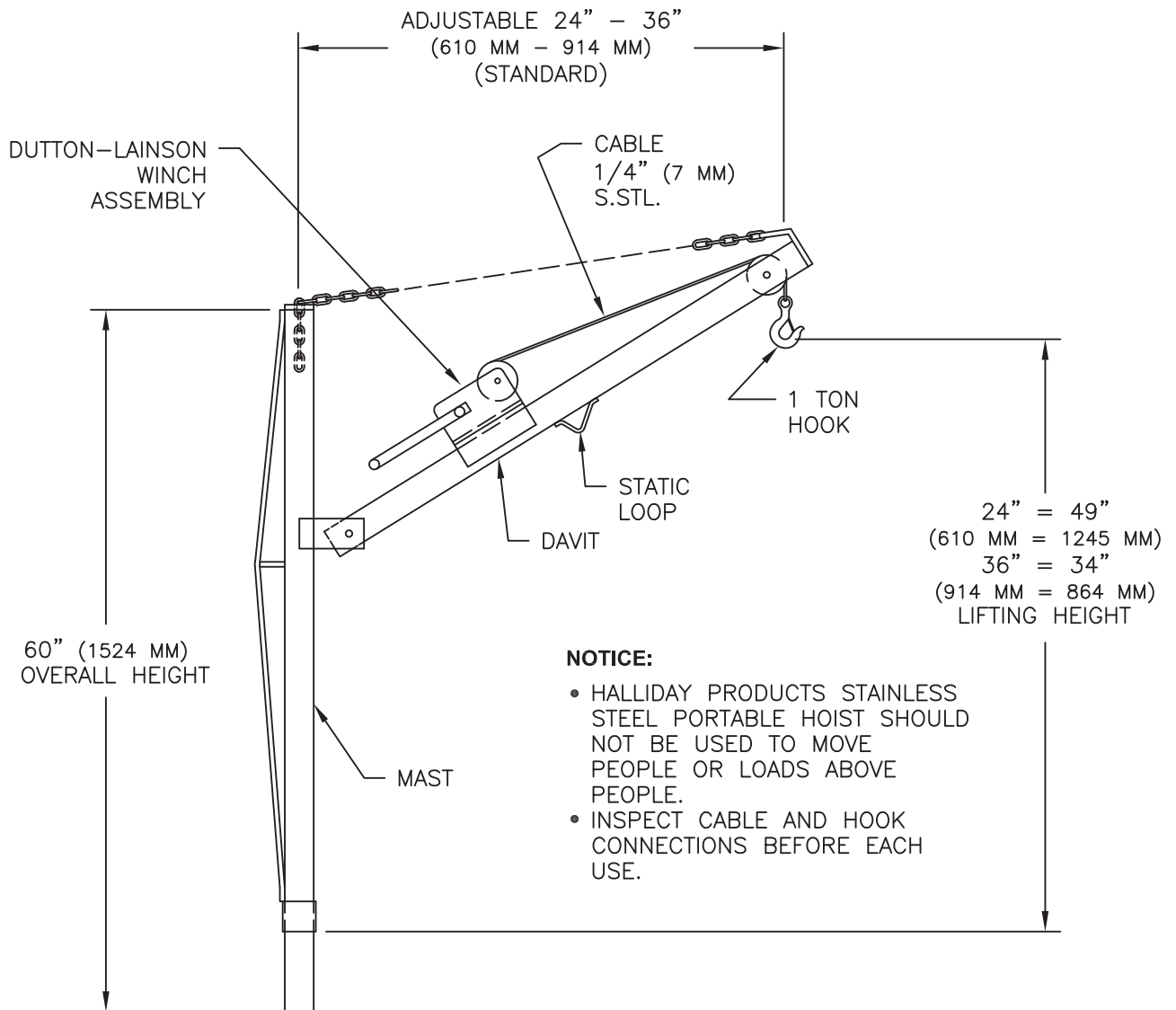
## STANDARD FEATURES:

- TYPE-304 STAINLESS STEEL CONSTRUCTION
- 30 FEET (9 METERS) OF 1/4" (7 MM) STAINLESS STEEL CABLE
- GALVANIZED 1 TON HOOK
- DUTTON-LAINSON MARINE GRADE BRAKE WINCH
- ADJUSTABLE REACH IN 1" (25 MM) INCREMENTS
- 3 YEAR GUARANTEE

## OPTIONS:

- TYPE-316 CONSTRUCTION
- ADDITIONAL CABLE AVAILABLE (SPECIFY LENGTH)
- STAINLESS STEEL WINCH
- STAINLESS STEEL HOOK
- OTHER REACHES AVAILABLE UPON REQUEST (CONSULT FACTORY)

| STANDARD SIZES |           |                      |                     |
|----------------|-----------|----------------------|---------------------|
| QTY.           | MODEL NO. | MAX .LOAD LBS. (KG.) | UNIT WT. LBS. (KG.) |
|                | D1B36C    | 300 (136)            | 73 (33)             |
|                | D2B36D    | 1000 (454)           | 96 (44)             |
|                | D3B36E    | 1330 (603)           | 111 (50)            |

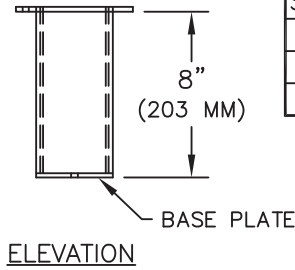
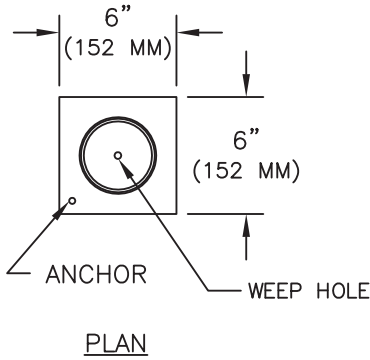


# Series D Hoist Sockets

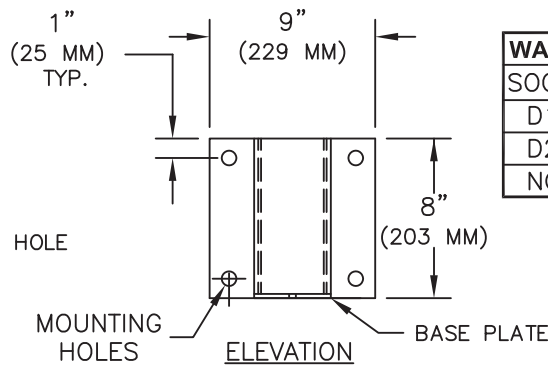
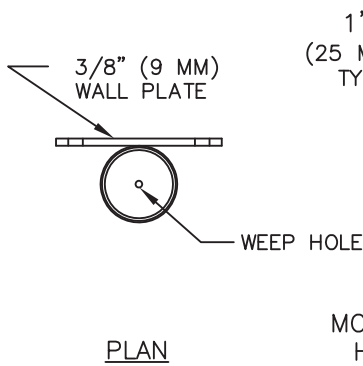


## STANDARD FEATURES:

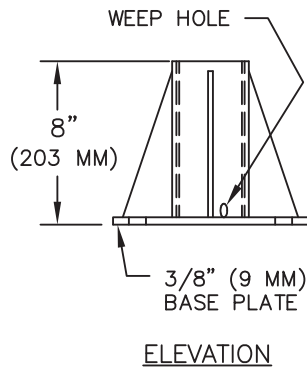
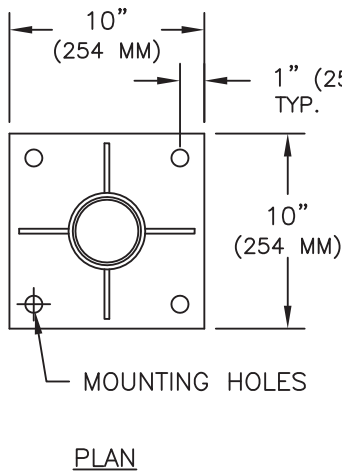
- STAINLESS STEEL TYPE-304 (STANDARD) OR TYPE-316 (OPTIONAL) CONSTRUCTION
- AVAILABLE IN 3 STYLES
- SUPPLIED WITH POLYMER LINING FOR SMOOTHER ROTATION
- 3 YEAR GUARANTEE



| EMBED STYLE HOIST SOCKETS |                  |
|---------------------------|------------------|
| SOCKET MODEL #            | FOR HOIST MODELS |
| D1R LINED                 | D1A AND D1B      |
| D2R LINED                 | D2A AND D2B      |
| D3R LINED                 | D3A AND D3B      |



| WALL STYLE HOIST SOCKETS |                  |
|--------------------------|------------------|
| SOCKET MODEL #           | FOR HOIST MODELS |
| D1V LINED                | D1A AND D1B      |
| D2V LINED                | D2A AND D2B      |
| NOT AVAILABLE            | D3A AND D3B      |



| FLOOR STYLE HOIST SOCKETS |                  |
|---------------------------|------------------|
| SOCKET MODEL #            | FOR HOIST MODELS |
| D1S LINED                 | D1A AND D1B      |
| D2S LINED                 | D2A AND D2B      |
| D3S LINED                 | D3A AND D3B      |

NOTES:  
MOUNTING HOLES ARE  $\phi 3/4$ " ( $\phi 19$  MM)

# Mixer Masts



**HP**  
HALLIDAY PRODUCTS



# Series M Mixer Masts

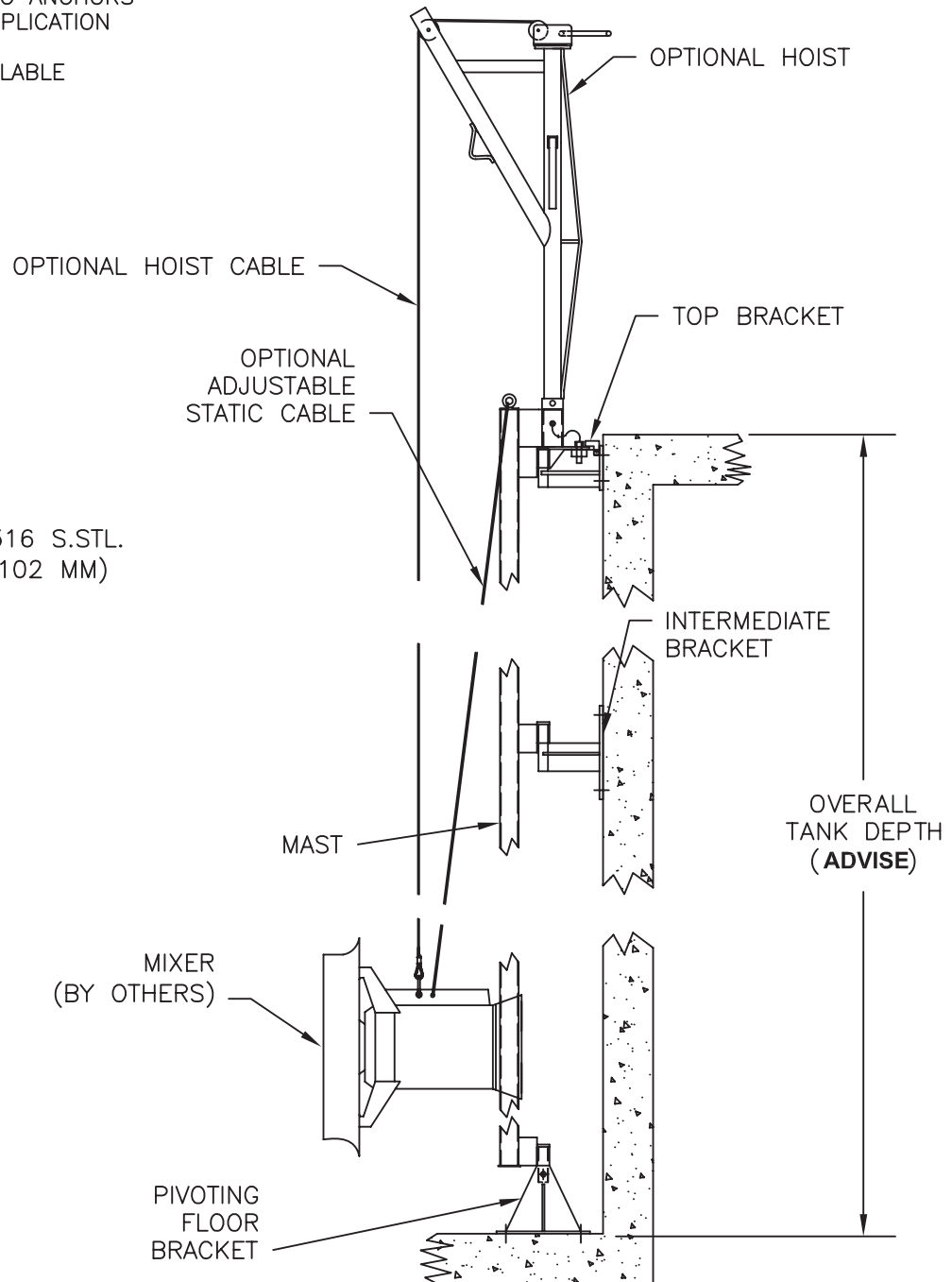


## STANDARD FEATURES:

- AVAILABLE IN 2" (51 MM) AND 4" (102 MM) MAST SYSTEMS
- ALL WELDED CONSTRUCTION
- POLYMER BUSHINGS AT ALL PIVOT POINTS
- POSITIONER PLATE W/MULTIPLE SETTINGS
- HOIST SOCKET W/BUSHING
- STAINLESS STEEL MOUNTING ANCHORS
- CUSTOM FIT FOR EACH APPLICATION
- PIVOTING BASE BRACKET
- EXTENSION BRACKETS AVAILABLE
- 3 YEAR GUARANTEE

## REQUIRED INFORMATION:

- OVERALL TANK DEPTH
- TYPE 304 OR TYPE 316 S.STL.
- 2" (51 MM) OR 4" (102 MM) MAST SYSTEM



# Telescoping Valves



# Series V4A Telescoping Valve



## STANDARD FEATURES:

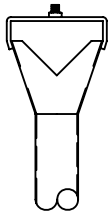
- STAINLESS STEEL CONSTRUCTION
- NON-RISING DESIGN
- 16" (406 MM) DIAMETER ALUMINUM HANDWHEEL
- $\phi 1 \frac{1}{8}$  ( $\phi 29$  MM) S.STL. TRIPLE LEAD ACME ROD
- BRASS LIFTING NUT
- POLYMER BEARING PADS
- 150# S.STL. COMPANION FLANGE
- 1/4" (7 MM) THICK NEOPRENE WIPE GASKET
- 3 YEAR GUARANTEE

## REQUIRED INFORMATION:

- BASE PLATE ELEVATION
- OFFSET
- HIGH WATER ELEVATION
- SLIDE PIPE MODEL (501, 502, 503)
- LENGTH OF TRAVEL
- TOP OF RISER PIPE ELEVATION
- EXISTING RISER PIPE SIZE

### MODEL 502

SLIDE PIPE WITH CONE "V" WEIR TOP



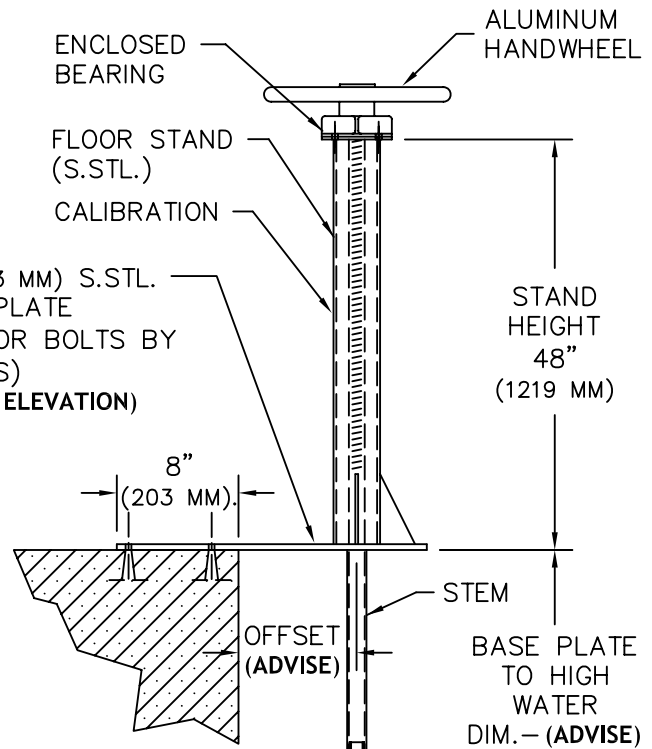
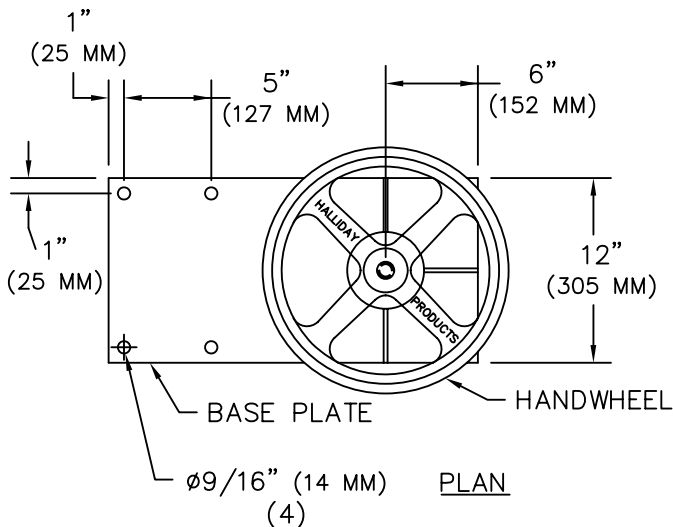
ELEVATION

### MODEL 503

SLIDE PIPE WITH "V" WEIR TOP

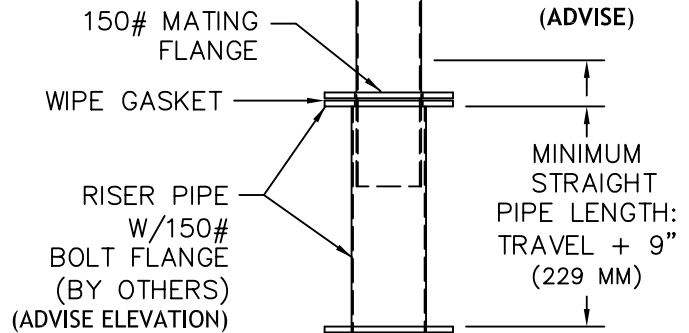


ELEVATION



### MODEL 501

SLIDE PIPE SHOWN



ELEVATION

# Series V4R Telescoping Valve



## STANDARD FEATURES:

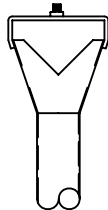
- STAINLESS STEEL CONSTRUCTION
- RISING STEM DESIGN
- 1" (25 MM) STAINLESS STEEL RACK W/S.STL. PINION
- OIL-IMPREGNATED SINTERED BRONZE BEARING
- 16" (406 MM) DIAMETER ALUMINUM HANDWHEEL
- CLEAR STEM COVER WITH CALIBRATION STRIP
- 150# S.STL. COMPANION FLANGE
- 1/4" (7 MM) THICK NEOPRENE WIPE GASKET
- 3 YEAR GUARANTEE

## REQUIRED INFORMATION:

- BASE PLATE ELEVATION
- OFFSET
- HIGH WATER ELEVATION
- SLIDE PIPE MODEL (501, 502, 503)
- LENGTH OF TRAVEL
- TOP OF RISER PIPE ELEVATION
- EXISTING RISER PIPE SIZE

### MODEL 502

SLIDE PIPE WITH CONE "V" WEIR TOP



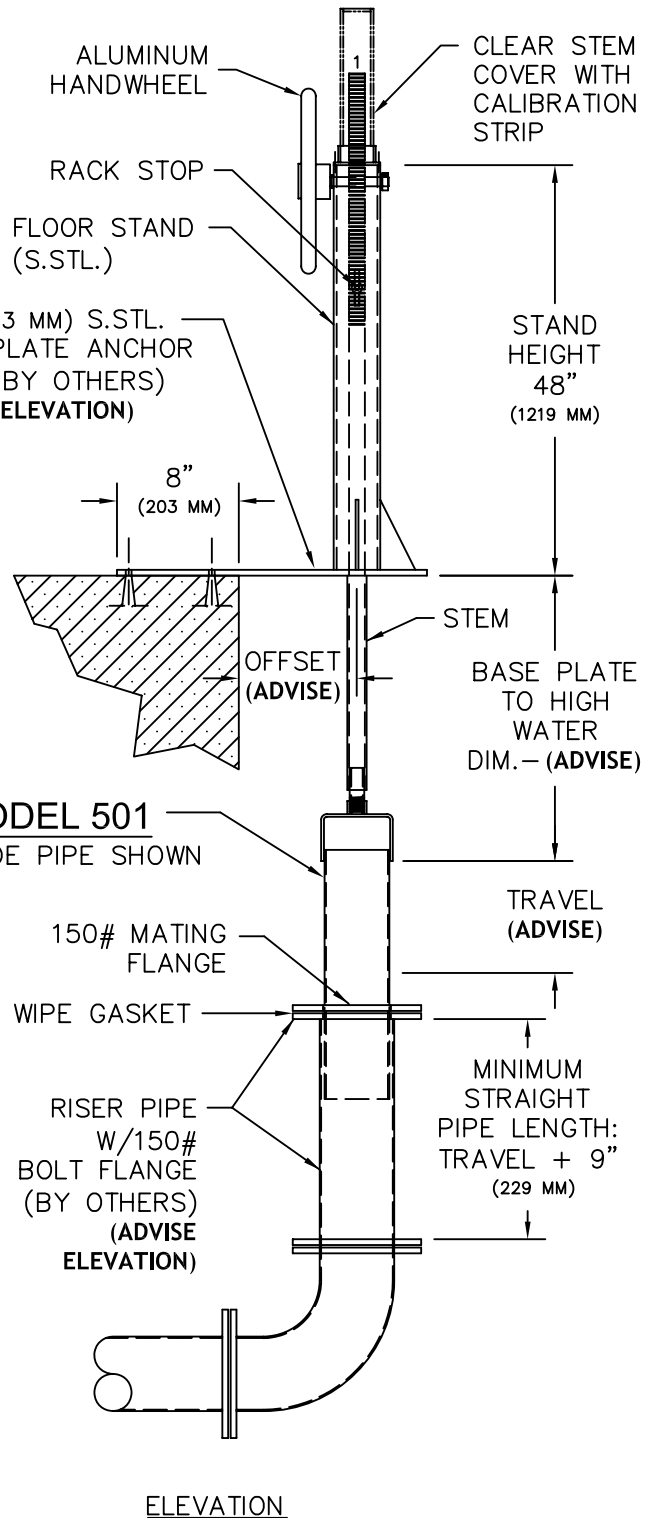
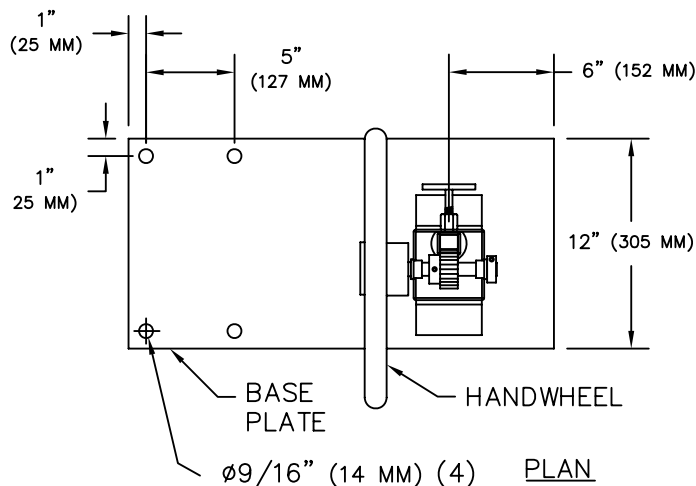
ELEVATION

### MODEL 503

SLIDE PIPE WITH "V" WEIR TOP



ELEVATION





# Ladders/Safety Extension



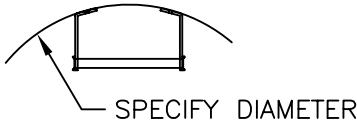
# Series L1B and L1D Ladders

STANDARD FEATURES:

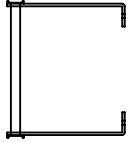
- ALL ALUMINUM WELDED CONSTRUCTION
- 1 3/8" TYPE "D" RUNG WITH FLAT SLIP RESISTANT SURFACE
- CUSTOM FIT WALL MOUNTED STANDOFFS
- FLOOR AND WALL OR WALL-ONLY MOUNTING (SPECIFY)
- FLAT OR ROUND WALL MOUNTING (SPECIFY)
- AVAILABLE IN WELDED STAINLESS STEEL CONSTRUCTION

REQUIRED INFORMATION:

- BASIN DIAMETER OR FLAT WALL
- RAIL LENGTH IN FEET
- STANDOFF LENGTH (7" [178 MM] MIN.)
- L1B OR L1D MOUNTING

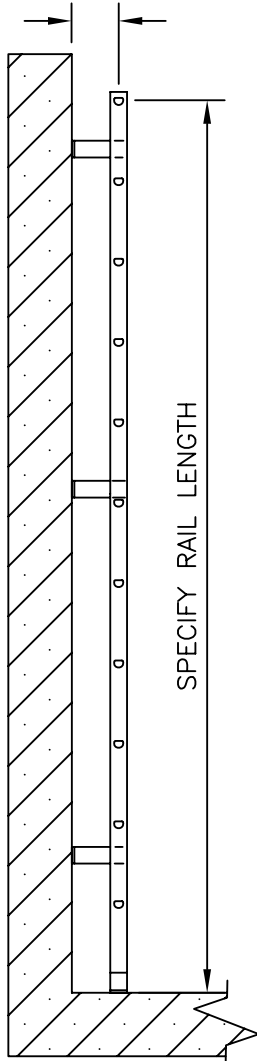


BASIN WALL MOUNTING

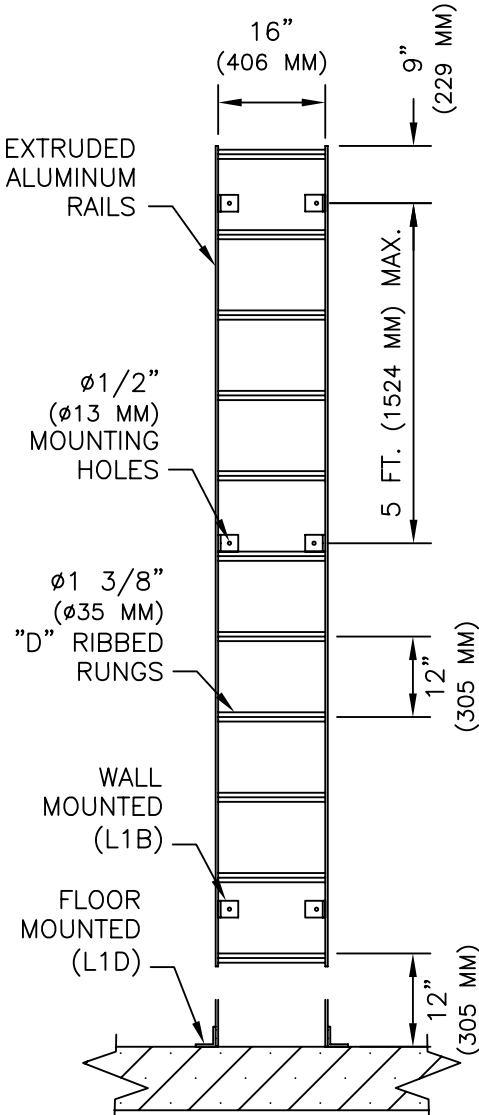


FLAT WALL MOUNTING

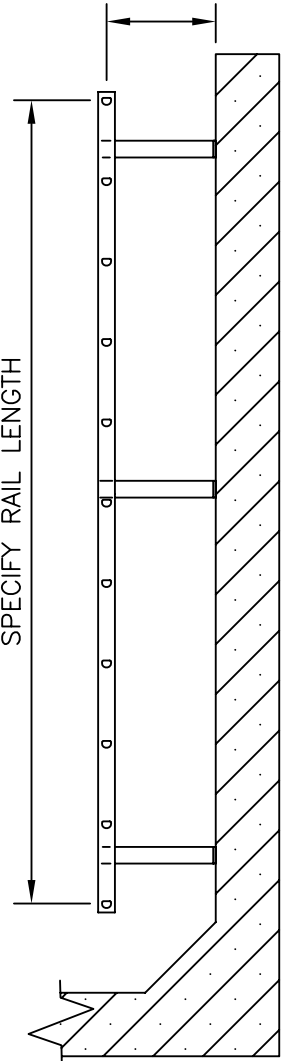
STANDOFF  
(7" [178 MM] MIN.)  
(ADVISE)



L1D (FLOOR AND WALL MOUNT)



STANDOFF  
(7" [178 MM] MIN.)  
(ADVISE)



L1B (WALL MOUNT)

# Series L1E Ladder Extension



## STANDARD FEATURES:

- EASY TO INSTALL ON ALUMINUM OR STAINLESS LADDERS
- SECURE LOCKING IN THE EXTENDED POSITION
- LIGHT WEIGHT OPERATION
- ALL ALUMINUM AND STAINLESS STEEL CONSTRUCTION
- ALSO AVAILABLE IN ALL TYPE 304 OR TYPE 316 S.STL.

| MODEL | HEIGHT         | ABOVE LADDER    | MIN. TANK DEPT. |
|-------|----------------|-----------------|-----------------|
| A     | 37"<br>(940MM) | 42"<br>(1067MM) | 73"<br>(1854MM) |
| B     | 34"<br>(864MM) | 39"<br>(991MM)  | 55"<br>(1397MM) |

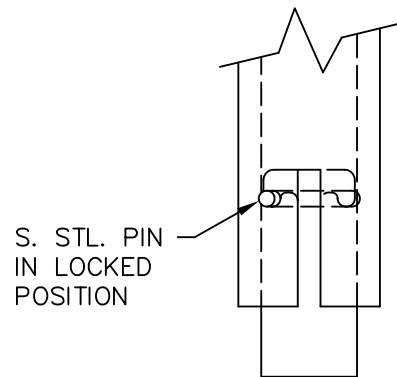
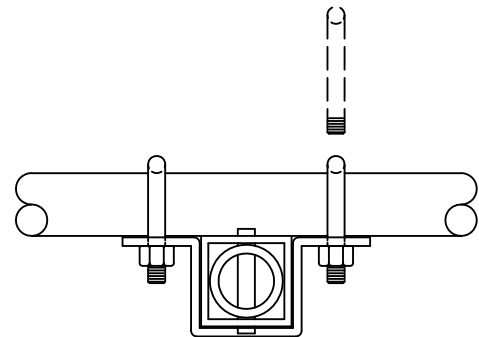
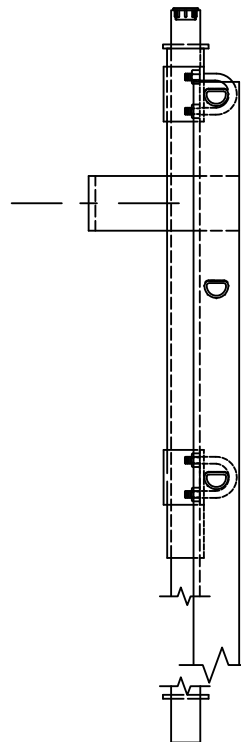
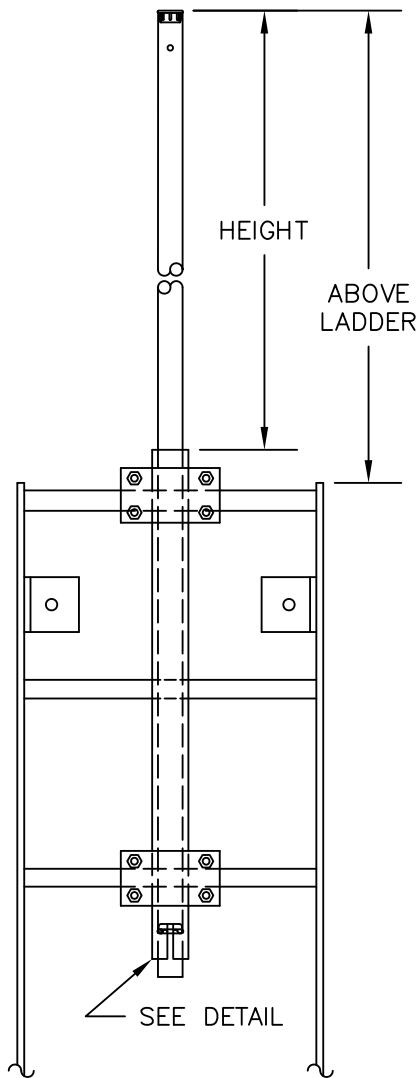
## INSTALLATION & OPERATION INSTRUCTIONS

### Installation:

- Place ladder flat on the ground with standoffs up.
- Place 2" (52 mm) square aluminum tube in center of rungs with the "T" shaped slot below third rung as shown (Model A) or second rung (Model B).
- Place stainless steel channel clamp over square aluminum tube so "U" clamp holes line up on either side of rungs as shown.
- Insert stainless steel "U" bolts over rung and through holes in stainless steel channel clamp as shown.
- Apply 10-15 foot pounds (1.3-2.1 kg./meter) of torque to all "U" bolt nuts.
- Verify that square aluminum tube is secured to ladder rungs.

### Operation:

- To engage ladder extension, grasp aluminum post above the top stainless steel channel clamp, and pull straight up until lower stainless steel pin is seated.
- Rotate aluminum post 1/4 turn in either direction to secure pin in slot as shown in Detail.



S. STL. PIN  
IN LOCKED  
POSITION

DETAIL

NOTES:  
PIN MUST BE IN LOCKED POSITION PRIOR  
TO OPERATION.



# Debris Baskets





# Series B1A Trash Basket

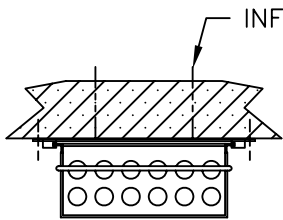


## STANDARD FEATURES:

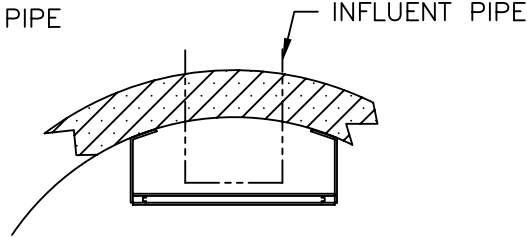
- ALL ALUMINUM CONSTRUCTION
- PERFORATED SCREENING STYLE
- EXTRUDED ALUMINUM GUIDERAIL SYSTEM
- OTHER SIZES AVAILABLE
- MODEL B4A STAINLESS STEEL BASKET AVAILABLE
- STAINLESS STEEL PIPE RAIL SYSTEM AVAILABLE
- VERTICAL ADJUSTABLE STANDOFFS (FIELD LOCATE)

## REQUIRED INFORMATION:

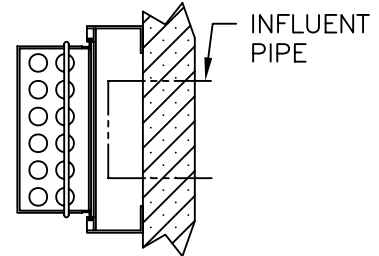
- BASIN DIAMETER
- RAIL LENGTH
- LENGTH OF STANDOFF (IF REQUIRED)



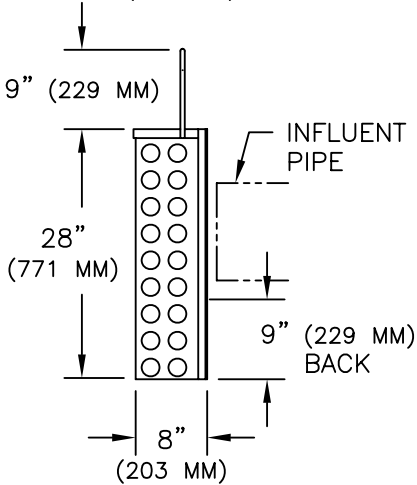
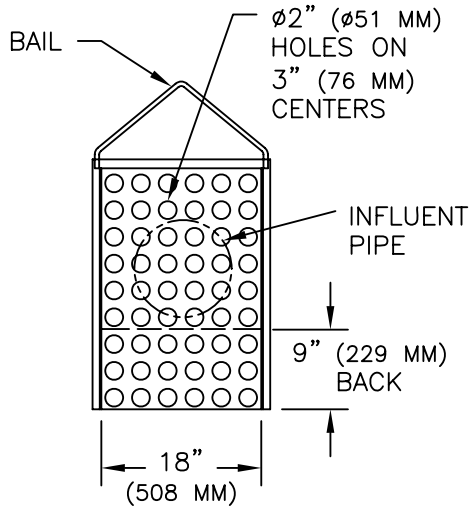
RAILS MOUNTED IN TANK  
W/FLUSH INFLUENT PIPE



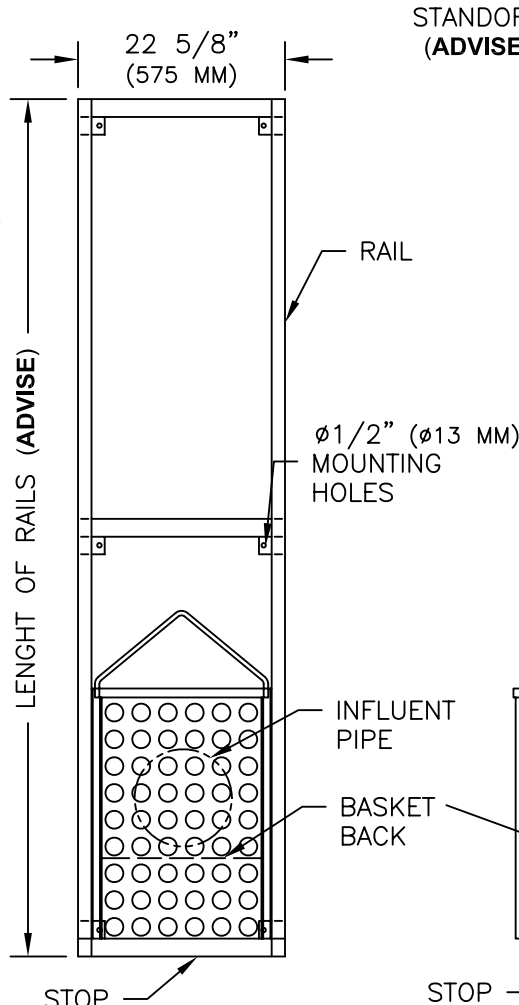
RAILS MOUNTED IN ROUND  
BASIN



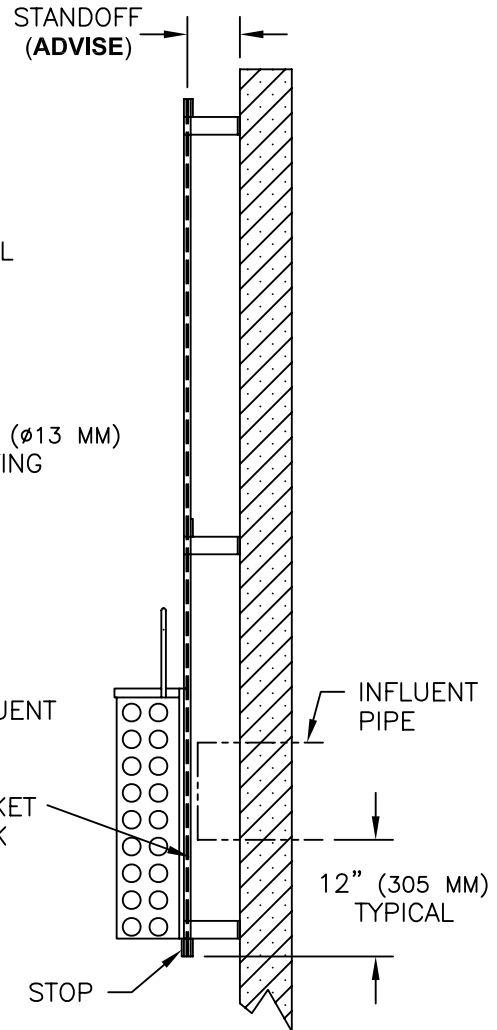
RAILS MOUNTED IN  
RECTANGULAR BASIN



BASKET



BASKET AND RAILS



# Series B1B Trash Basket

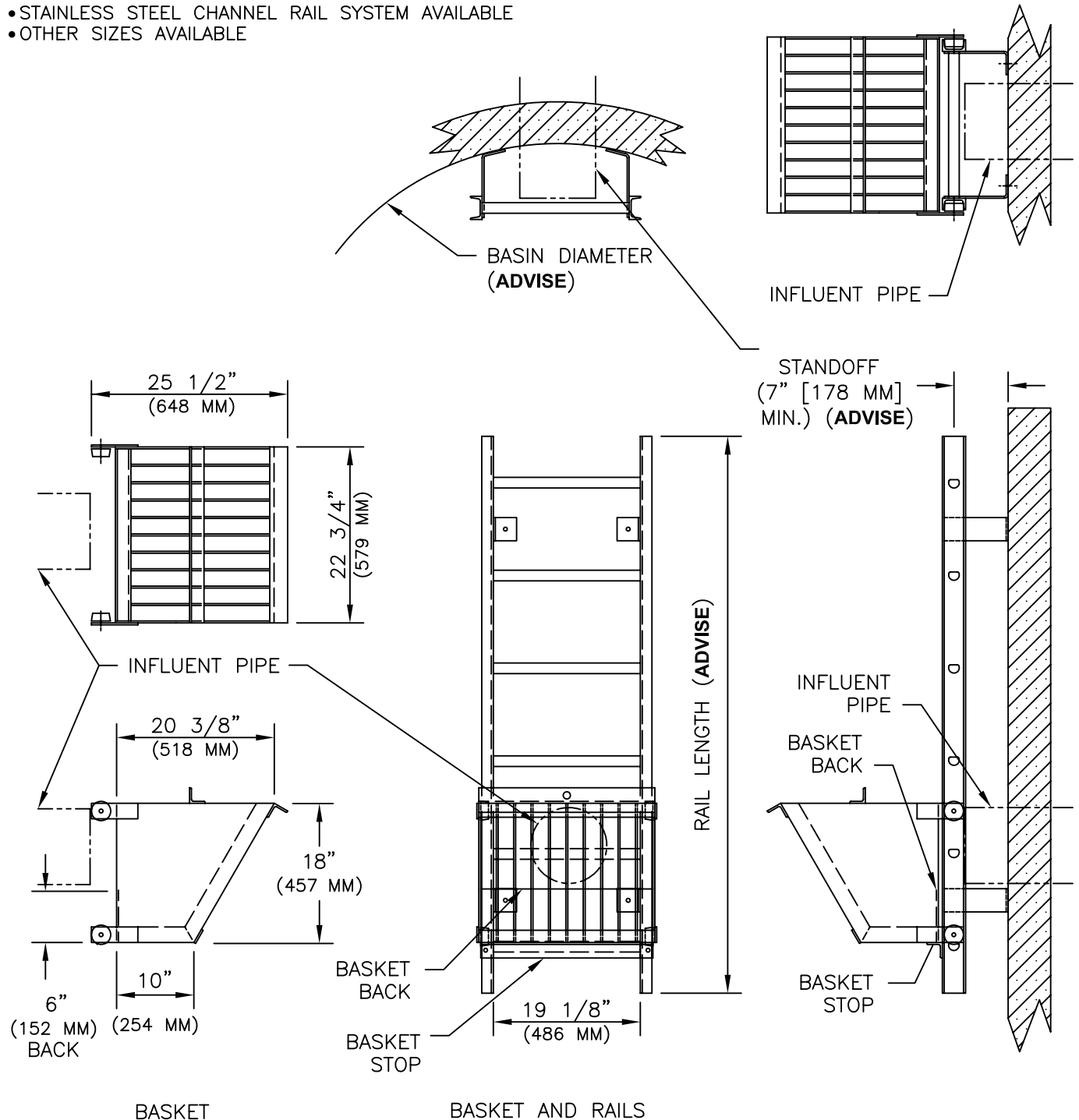


## STANDARD FEATURES:

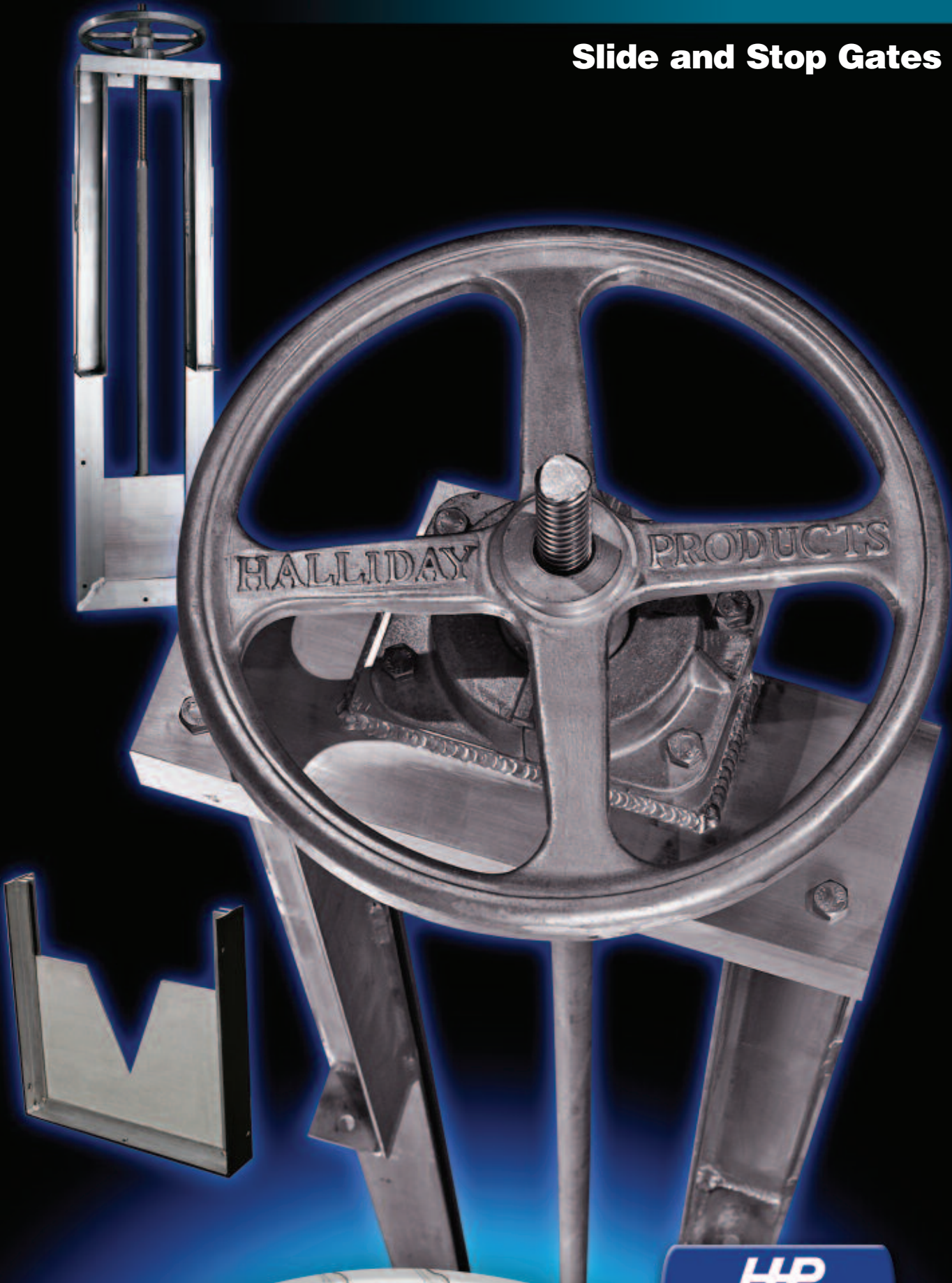
- ALL ALUMINUM BASKET AND RAILS
- SOLID ALUMINUM WHEELS AND STAINLESS STEEL AXLES
- HEAVY DUTY LADDER/GUIDERAIL COMBINATION
- 1 3/8" TYPE "D" RUNG WITH FLAT SLIP RESISTANT SURFACE
- BAR SCREEN STYLE BASKET
- AVAILABLE W/O LADDER RUNGS (GUIDE RAILS ONLY)
- MODEL B4B STAINLESS STEEL BASKET AVAILABLE
- STAINLESS STEEL CHANNEL RAIL SYSTEM AVAILABLE
- OTHER SIZES AVAILABLE

## REQUIRED INFORMATION:

- BASIN DIAMETER
- RAIL LENGTH
- STANDOFF LENGTH (7" [178 MM] MIN. FOR LADDER COMBO)



# Slide and Stop Gates



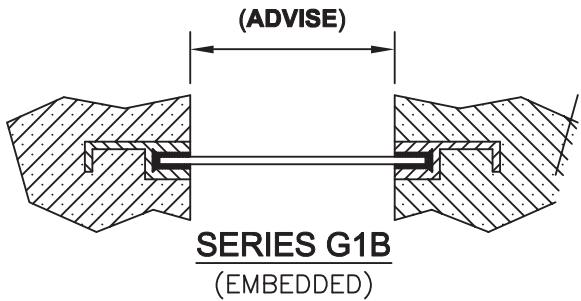
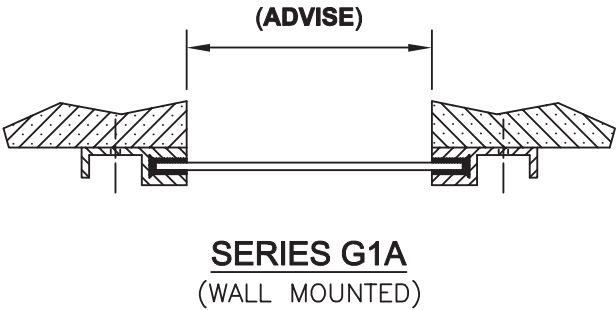
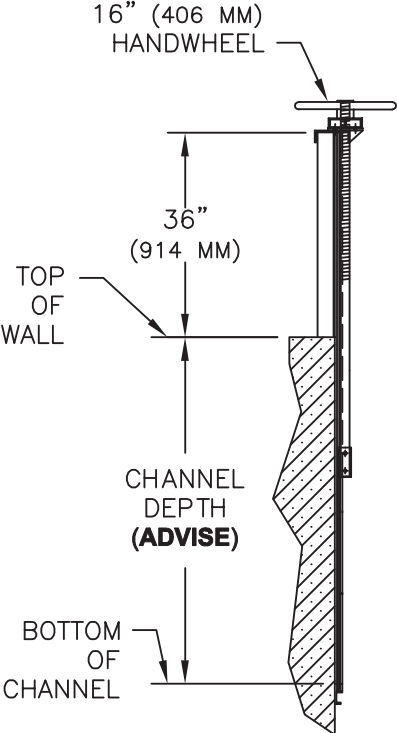
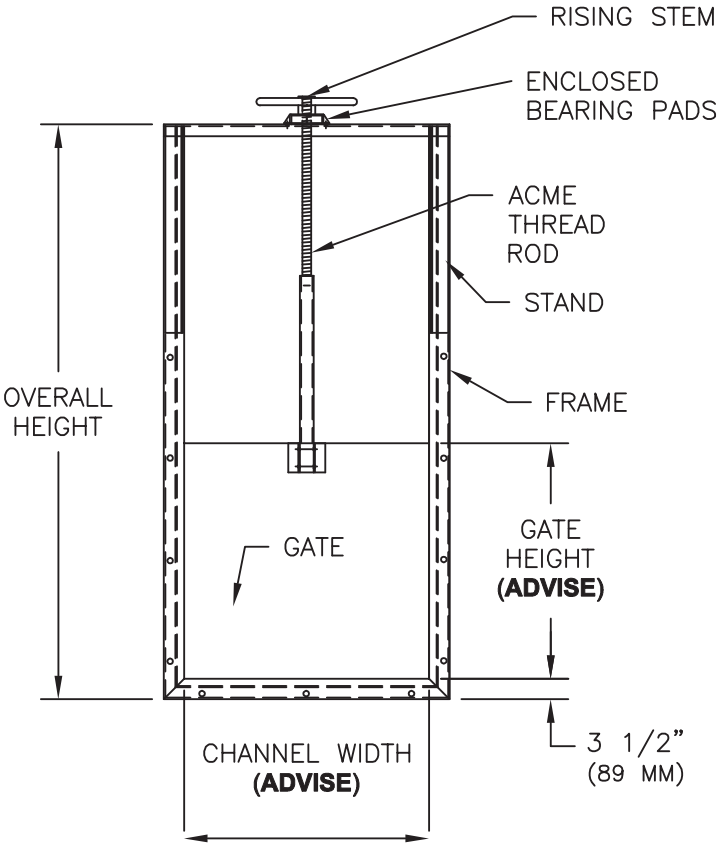
# Series G1A and G1B Slide Gates

STANDARD FEATURES:

- ONE-PIECE 6061-T6 EXTRUDED ALUMINUM FRAME
- ONE-PIECE POLYMER GUIDE
- 1/4" (7 MM) THICK 6061-T6 ALUMINUM GATE REINFORCED AS REQUIRED TO DEFLECT NO MORE THAN 1/360th OF SPAN
- LOW COEFFICIENT OF FRICTION
- DEEP SEATING FOR OPTIMUM TRACKING
- STANDARD 16" (406 MM) ALUMINUM HANDWHEEL
- POLYMER BEARING PADS
- $\phi 1 \frac{1}{8}$ " ( $\phi 29$  MM) S.STL. TRIPLE LEAD ACME ROD
- BRASS LIFTING NUT
- STAINLESS STEEL HARDWARE THROUGHOUT
- NON-OZONE DEPLETING BITUMINOUS COATING
- OPTIONAL CLEAR STEM COVER
- 3 YEAR GUARANTEE



GATE BOTTOM

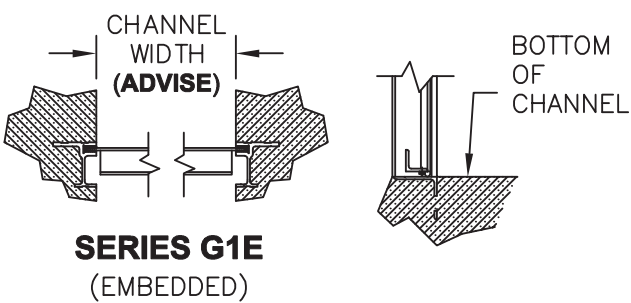
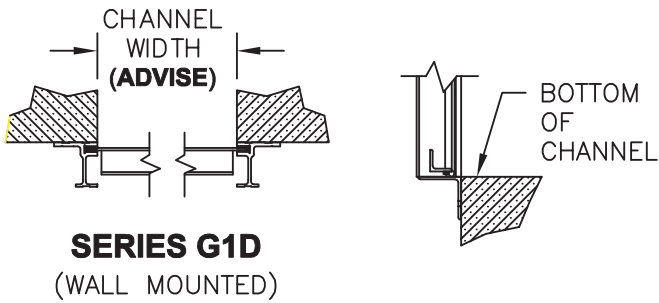
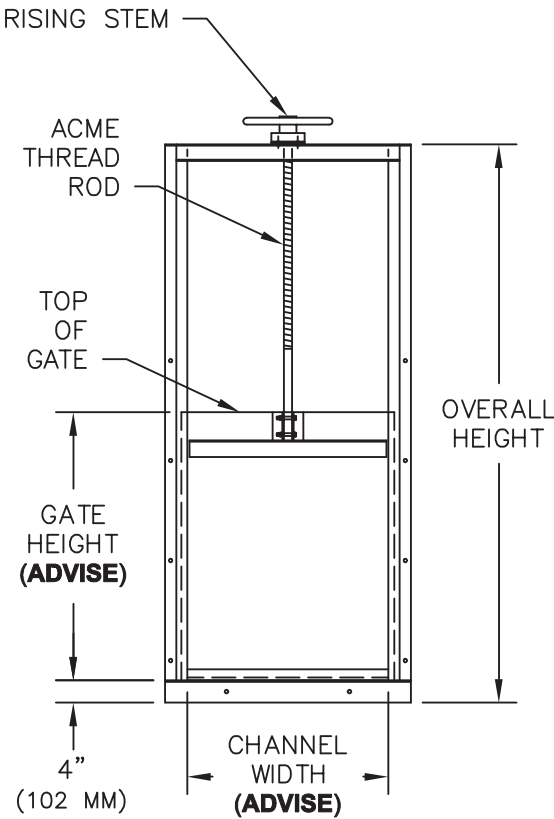
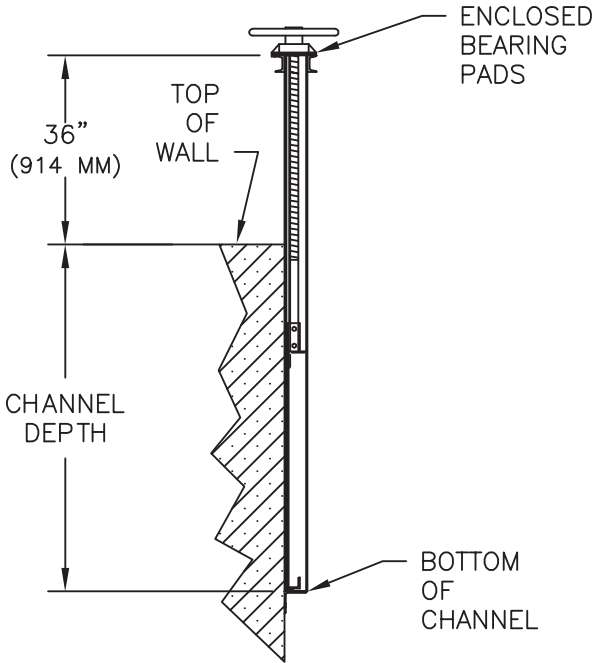
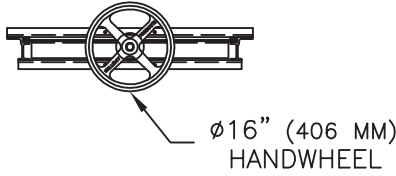




# Series G1D and G1E Slide Gates

STANDARD FEATURES:

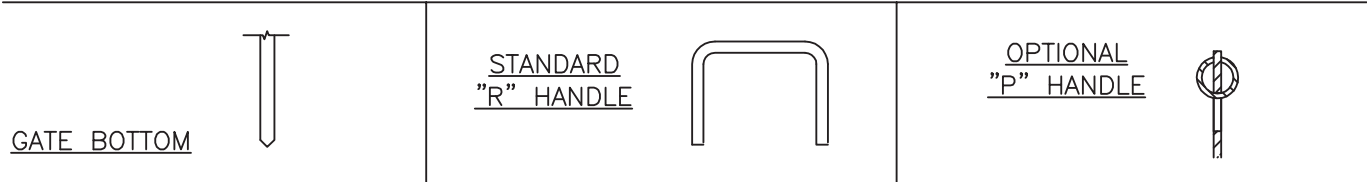
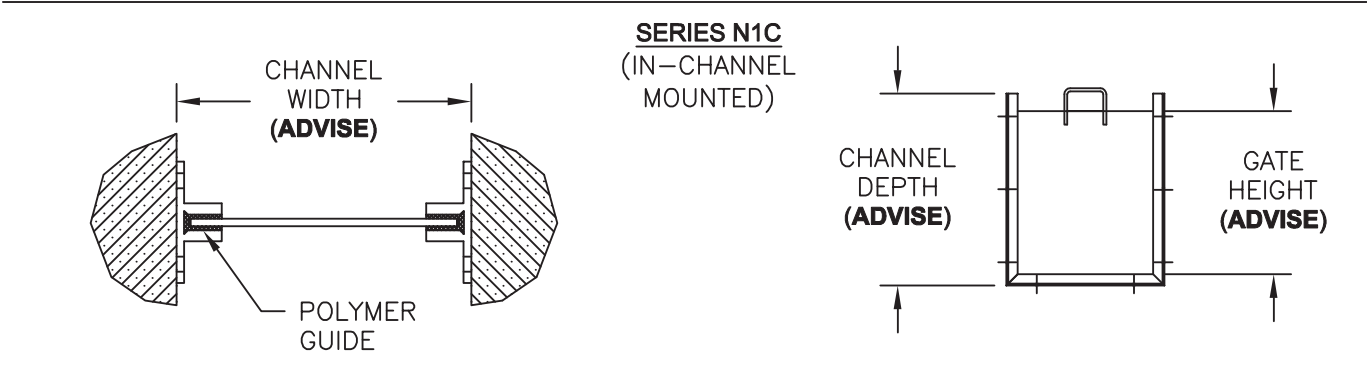
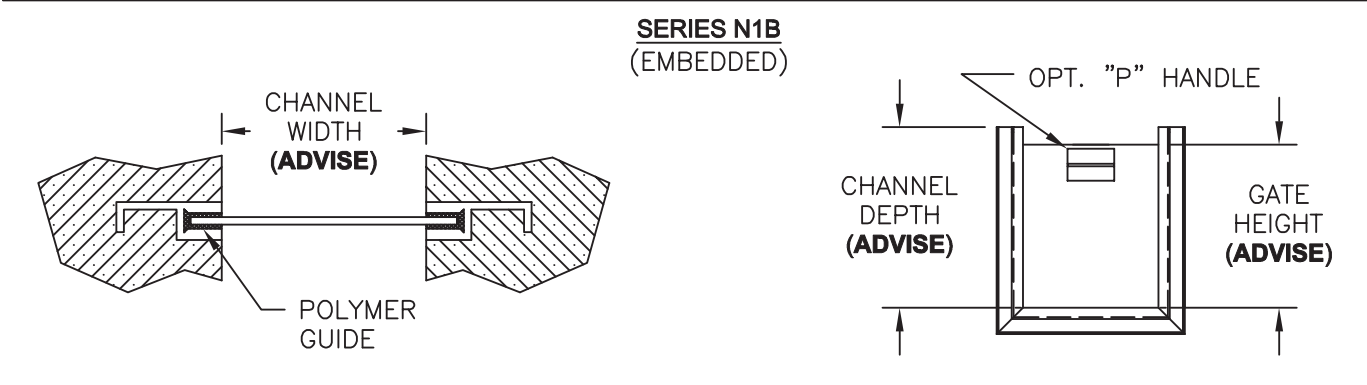
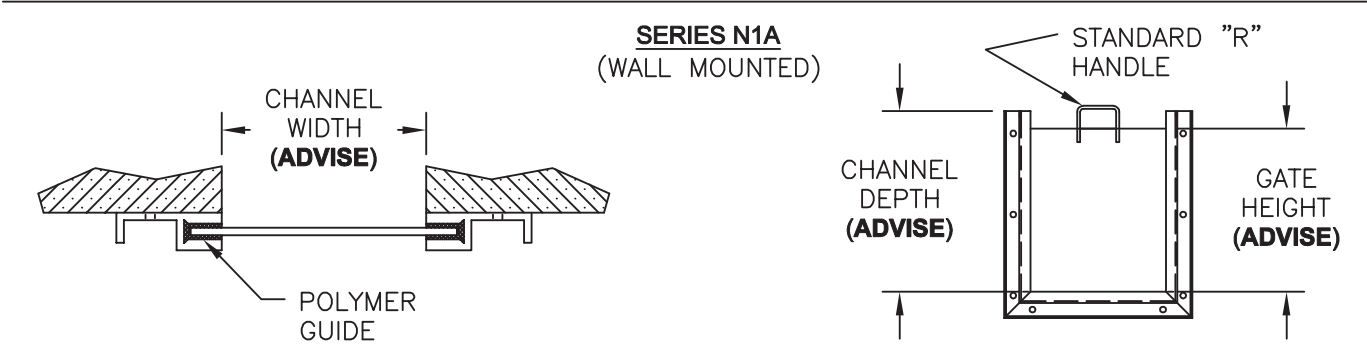
- ONE-PIECE 6061-T6 EXTRUDED ALUMINUM FRAME WEIGHING 4 LBS./FT. (6 KG./METER)
- DUAL SLOT DESIGN
- ONE-PIECE POLYMER GUIDE
- 1/4" (7 MM) THICK 6061-T6 ALUMINUM GATE REINFORCED AS REQUIRED TO DEFLECT NO MORE THAN 1/360th OF SPAN
- LOW COEFFICIENT OF FRICTION
- DEEP SEATING FOR OPTIMUM TRACKING
- STANDARD 16" (406 MM) ALUMINUM HANDWHEEL
- POLYMER BEARING PADS
- $\phi 1 \frac{1}{2}$ " ( $\phi 38$  MM) STAINLESS STEEL ACME ROD
- BRASS LIFTING NUT
- STAINLESS STEEL HARDWARE THROUGHOUT
- NON-OZONE DEPLETING BITUMINOUS COATING
- OPTIONAL CLEAR STEM COVER
- 3 YEAR GUARANTEE



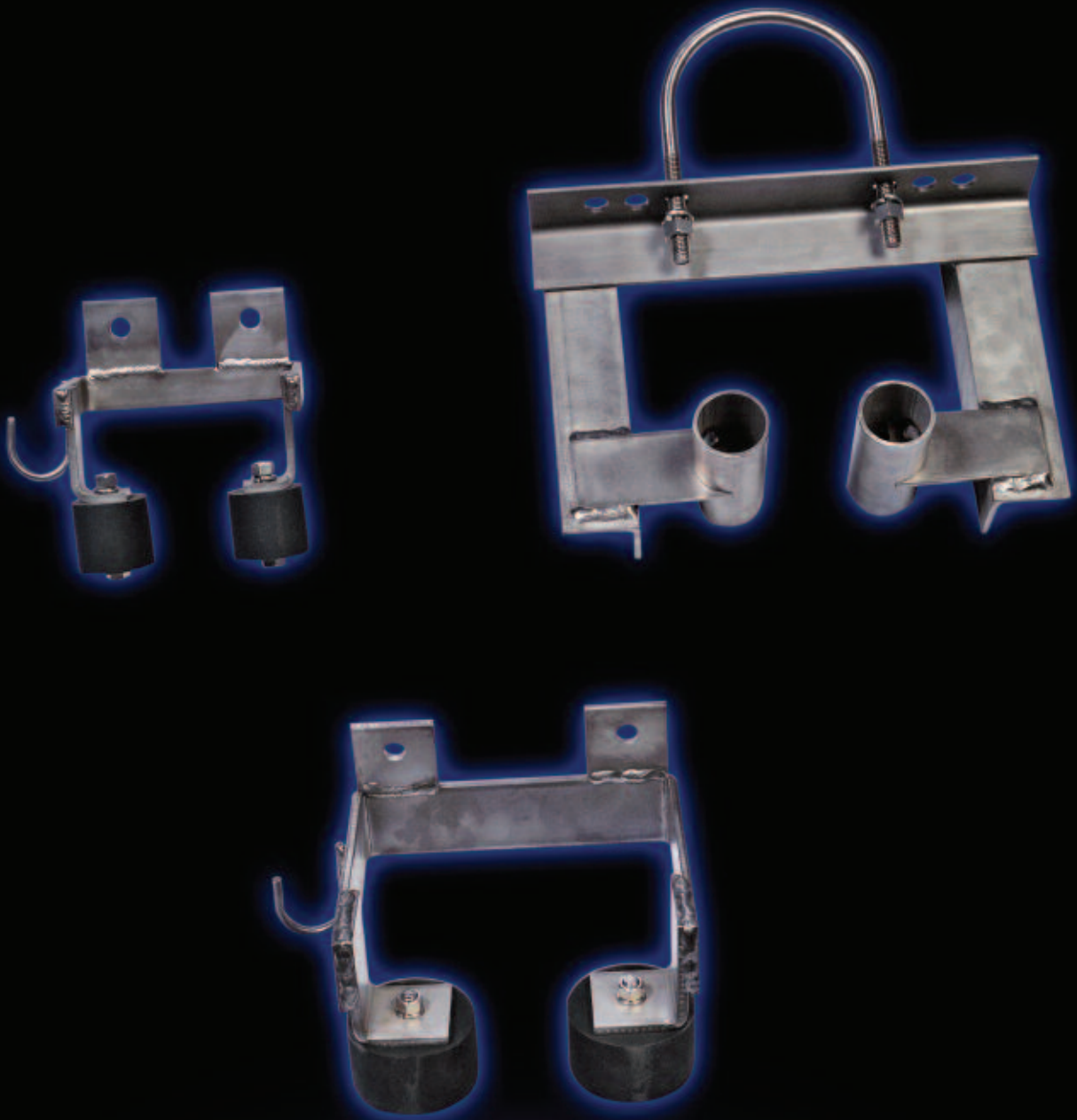
# Series N1 Stop Gate

STANDARD FEATURES:

- ONE-PIECE 6061-T6 EXTRUDED ALUMINUM FRAME ONE-PIECE, WRAP AROUND POLYMER GUIDE
- 1/4" (7 MM) THICK 6061-T6 ALUMINUM GATE REINFORCED TO DEFLECT NO MORE THAN 1/360th OF SPAN
- LOW COEFFICIENT OF FRICTION
- NON-OZONE DEPLETING BITUMINOUS COATING ON FRAME
- DEEP SEATING FOR OPTIMUM TRACKING
- STANDARD "R" HANDLE OR OPTIONAL "P" HANDLE
- SERIES N1A AND N1C SUPPLIED WITH  $\phi 1/2"$  (13 MM) MOUNTING HOLES AND S.STL. MOUNTING HARDWARE
- 3 YEAR GUARANTEE



# Guide Rail Brackets



# Series U Guide Rail Brackets

## STANDARD FEATURES:

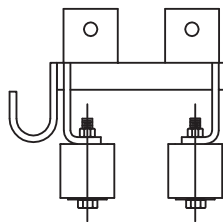
- AVAILABLE IN TYPE 304 OR 316 STAINLESS STEEL
  - SINGLE AND DOUBLE RAIL DESIGNS
  - UPPER AND INTERMEDIATE BRACKETS AVAILABLE
  - MANUFACTURED FOR ALL SUBMERSIBLE PUMPS
  - MOST UPPER BRACKETS PROVIDED WITH NEOPRENE BUSHINGS WITH COMPRESSION STEMS
- HALLIDAY PRODUCTS INC. MANUFACTURES A WIDE VARIETY OF STAINLESS STEEL UPPER AND INTERMEDIATE GUIDE RAIL BRACKETS THAT ARE COMPATIBLE WITH ALL MAJOR SUBMERSIBLE PUMP LINES. TO INSURE PROPER PRICING AS WELL AS FIT AND ALIGNMENT, THE FOLLOWING INFORMATION IS REQUIRED:

- PUMP MANUFACTURER
- GUIDE RAIL SPACING
- GUIDE RAIL SIZE
- T-304 OR T-316 STAINLESS STEEL

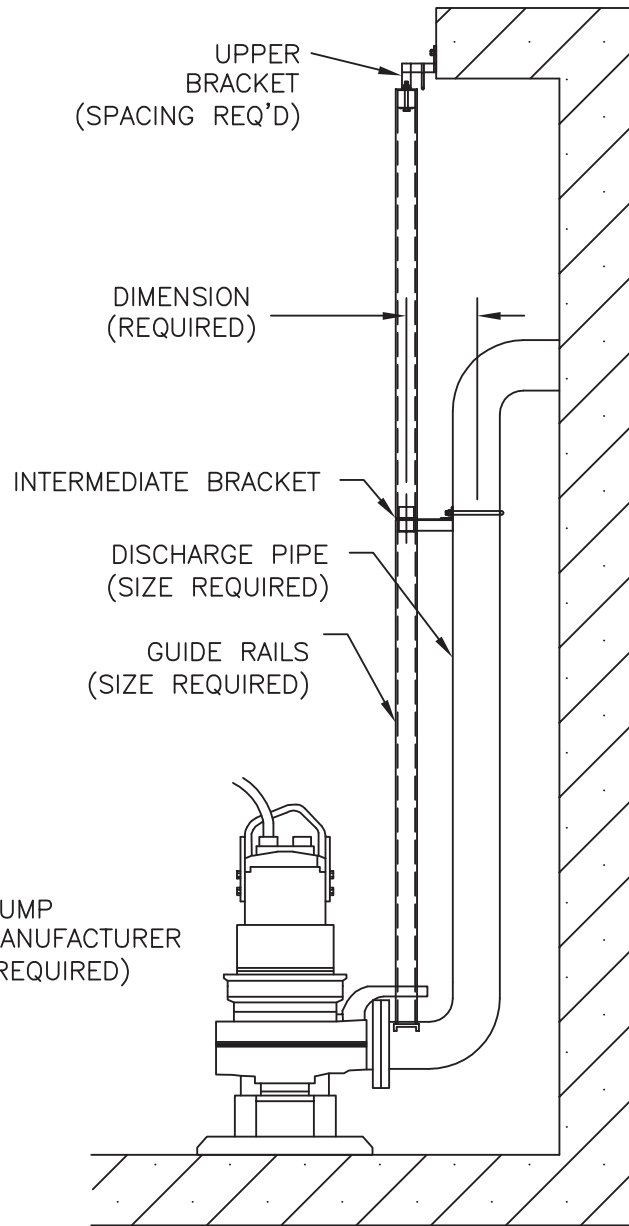
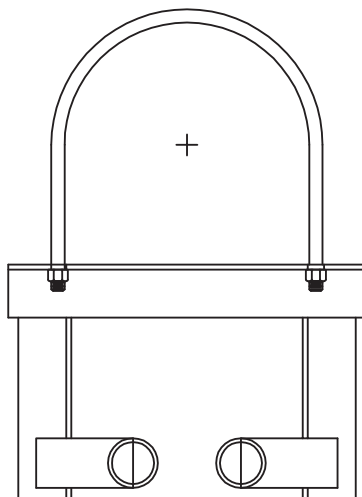
### FOR INTERMEDIATE BRACKETS:

- DISCHARGE PIPE SIZE
- CENTER LINE OF DISCHARGE TO CENTER
- LINE OF GUIDE RAIL DIMENSION

UPPER GUIDE RAIL BRACKET

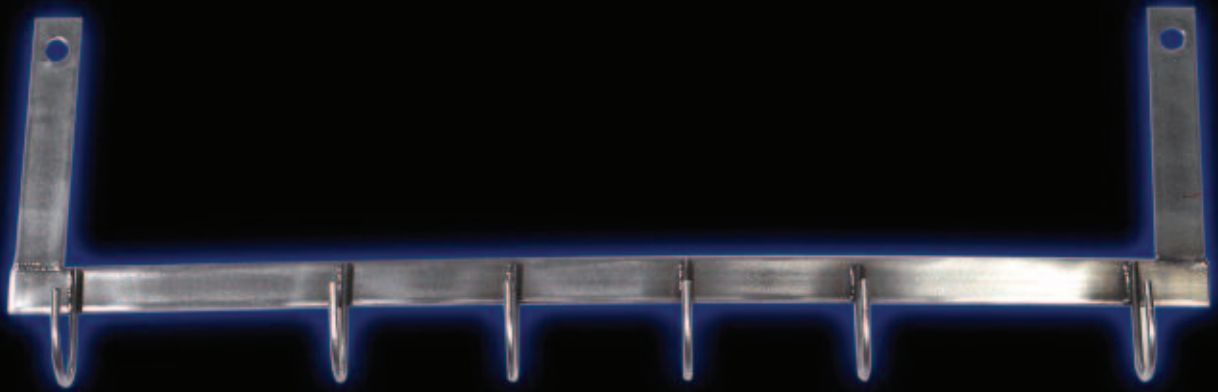


INTERMEDIATE GUIDE RAIL BRACKET





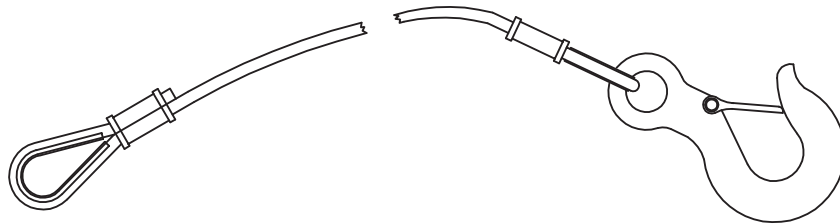
# Accessories



# Series K4A Cable Assembly

## STANDARD FEATURES:

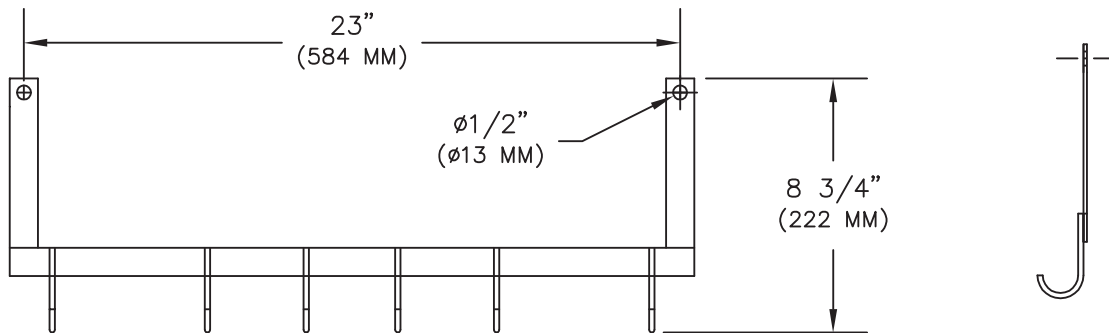
- TYPE 304 STAINLESS STEEL CONSTRUCTION
- $\phi 1/4"$  ( $\phi 7$  MM) CABLE W/1285 LBS. (583 KG.) SAFE LOAD
- 1 TON GALV. EYE HOOK W/S.STL. LATCH
- AVAILABLE IN TYPE-316 STAINLESS STEEL
- VARIOUS HOOKS AND SHACKLES AVAILABLE
- ALSO AVAILABLE IN  $3/16"$  (5 MM) AND  $3/8"$  (10 MM) DIAMETER, CONSULT FACTORY



# Series J4A Cable Holder

## STANDARD FEATURES:

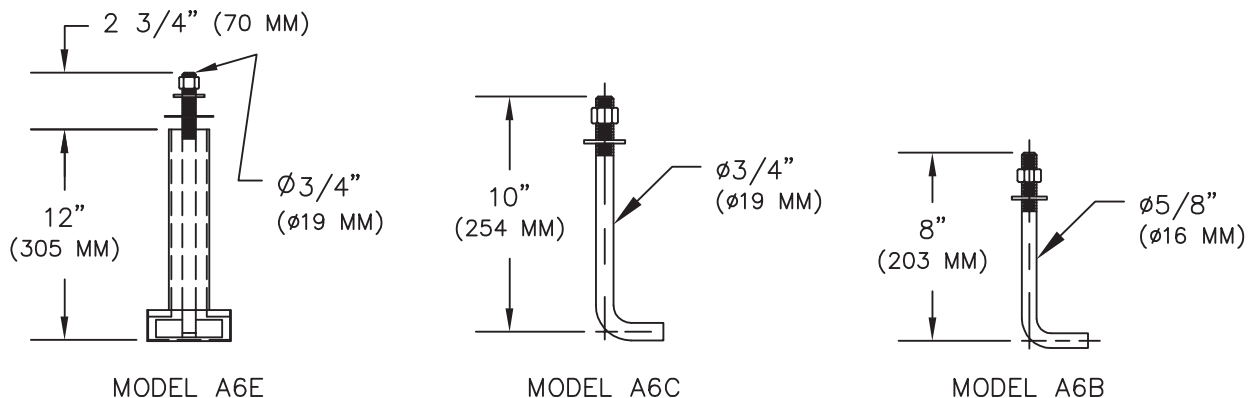
- TYPE-304 STAINLESS STEEL CONSTRUCTION
- 6 HOOKS STANDARD – FOR FLOAT SWITCHES
- AVAILABLE IN TYPE-316 STAINLESS STEEL



# Series A Anchor Bolt

## STANDARD FEATURES:

- TYPE 316 STAINLESS STEEL CONSTRUCTION
- SPECIAL SIZES AVAILABLE



**A few of the places  
our products can be found...**



**[www.HallidayProducts.com](http://www.HallidayProducts.com)**

